



TOROIDAL CURRENT TRANSFORMER DEMONSTRATION AND USERS MANUEL

Thank you for choosing Toroidal Current Transformer. Please read this manual before installation, operation and maintenance.

OVERVIEW

Circular straight-through current transformer are mainly used in cable circuits, with simple structure, small size, and flexible application. According to the various cable specifications used in the main circuit, there are multiple diameters of inner hole for the wire through corresponding.

This product is designed for electrical fire monitoring, fire leakage systems, intelligent power systems, low current grounding systems, electromagnetic relay protection, microcomputer protection, environmental protection monitoring, etc.

STANDARD AND QUALITY CERTIFICATES

IEC-61095

1

TECHNICAL DATA

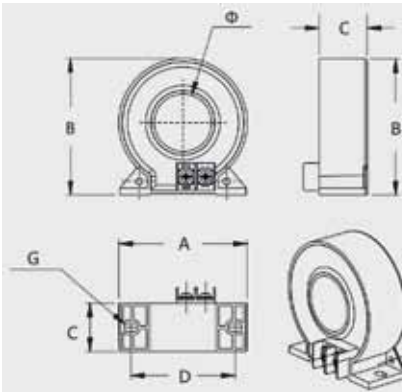
Electrical Features		Mechanical Features	
Rated frequency	50 ~ 400 Hz	Shell material	ABS, Flame retardant grade 94-V0
Rated input	10mA - 5A	Framework material	PBT
Measuring range	10% In ~ 130% In	Core material	Nickel steel or nanocrystalline
Rated output	0~1V(A or) 0~0.25mA	Internal structure	Environment - friendly epoxy resin casting
Medium strength	2.5KV/1mA/1min	Construction plan	Screw fixation
Insulation resistance	DC 500V/1000MQ/min	Operating temperature	-12 °C ~ +45 °C
		Environment humidity	≥ 85 %
		Wiring	Terminal type, shielded stranded wire 1.5 meters

2

TYPE AND DIMENSIONS

Type	Rated input (A)	Rated output (mAv)	Accuracy class	Dimensions					
				X	A	B	C	D	G
VTTR-100	0 ~ 1A	0 ~ 1V (0.5mA)	0.1 0.2 0.5 1.0	100mm	135.5	141	26	114.5	M6
VTTR-150				150mm	189.5	196	27	171	M6
VTTR-200				200mm	239.5	246	30	221	M8

3



4

WARRANTY CONDITIONS

- Warranty period starts as of the delivery date of the product and it is 2 years.
- Warranty covers the malfunctions likely to occur due to the manufacturing defects of the product and within the warranty period.
- The product including all of its parts is under warranty as a whole. If the product turns out to be defective, the consumer can use one of the following rights stipulated in Article 11 of Consumer Protection Law no. 6502;
 - a- Withdrawal from the contract
 - b- Demanding discount from sales fee
 - c- Demanding free repair,
 - d- Demanding the replacement of the sold one with a fungible one free from defects.
- In case the consumer chooses the right of free repair among those rights; the dealer is obliged to repair the product or have the product repaired without claiming any fee under the name of replaced part fee, labor cost or for any other reasons. The consumer can also use the right of free repair against the manufacturer or exporter. The dealer, manufacturer and exporter are jointly and severally liable for the usage of this right by the consumer.
- In case the consumer uses the right of free repair and if the product - fails within the warranty period again and - the maximum period required for the repair is exceeded and - Authorized service station, dealer, manufacturer or exporter state that it's not possible to repair the product in a report, the consumer can demand the return of the product fee, fee discount at the ratio of the defect or the replacement with the one free of defects, if possible, from the dealer. The dealer can not reject the demand of the consumer. In case this demand is not met, the dealer, manufacturer and exporter shall jointly and severally be held responsible.

5

WARRANTY CONDITIONS

- The repair period of the product can not exceed 20 business days. This period starts on the notification of the failure on the product to the authorized service station or the dealer within the warranty period and from the date of delivery of the product to the authorized servicestation out of warranty period. In case of not eliminating the product malfunction within 10 business days, manufacturer or importer is obliged to dedicate another product with similar characteristics to the use of the consumer until the completion of the product repair. In case the product fails within the warranty period, elapsed time is added to the warranty period.
- Usage of the product contrary to the rules stipulated in user's manual, operating out of determined voltage, current and environmental conditions, damage on the cable connection due to the user's fault and failure of the product due to the facts arising from the fire, flood, earthquake, lightning and similar disasters are not under warranty.
- The consumer can apply to the arbitration committee for consumers or the consumer court where the consumer operations are made or in the residential area for the disputes to be occurred regarding the usage of the rights arising from the warranty.
- In case the dealer doesn't provide this certificate of warranty, the consumer can apply to the General Directorate of Consumer Protection and Market Surveillance of Ministry of Customs and Trade

6

WARNING

- Ensure that the power is cut off before the assembly of the products
- Connection and assembly of the electrical devices should be carried out only by the technical personnel having certificate of competency.
- No responsibility is assumed for the entire of the malfunction, accident and loss arising from the assembly or interference of the persons not having the competency certificate.
- Never use alcohol, cologne, detergent or other similar chemicals for cleaning. Do not perform wet cleaning do not contact the product with water when the product is energized.
- Keep the product away from the damp or wet environment during the transportation and shipping.

PANASONIC AND ENVIROMENT

As Panasonic, we are aware of the contribution of a balanced relation established between human and nature to the sustainable life. Thanks to our continuous innovation and R&D studies, we prefer materials and technologies that are not affecting the environment in a negative way during the production and usage of the products starting from the designing phase. We take necessary measures to use energy and natural sources in a more efficient way.

PANASONIC CUSTOMER RELATIONS

Dear Customer,
We believe in providing quality service to your as well as offering quality products.

7



Panasonic Life Solutions Elektrik San, ve Tic, A.Ş.,
Abdurrahmangazi Mah, Ebubekir Cad, No: 44
34887 Sancaktepe / İstanbul / Türkiye
T: 0 (216) 564 55 55 F: 0 (216) 564 55 44