

## PRODUCT DATASHEET

# Panasonic

Product Name : *Optima 2M Frame*

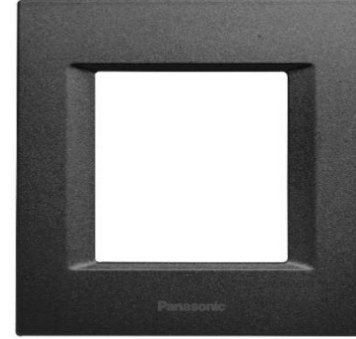
Product Code : *WVTF08401\**

### Technical Specifications:

Material : ABS (Acrylonitrile Butadine-Styrene)

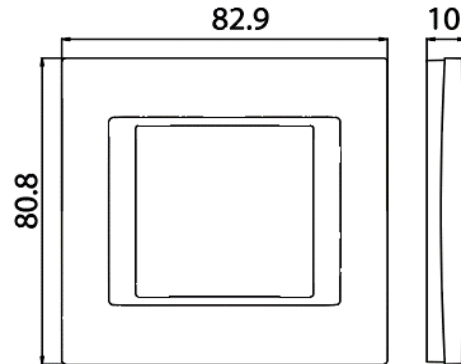
Certifications : CE

Colour Options :



\* White (WH), Beige (BG), Metallic White (MW), Black (BL), Dark Gray (DG), Hard Coal (AN), Dore (DR)

### Dimensions:



Panasonic Electric Works Elektrik.San. ve Tic. A.Ş.

Abdurrahmangazi Mah. Ebubekir Cad. No: 44 Sancaktepe / İstanbul Tel: 0216 564 55 55 Fax: 0216 564 55 44

ewtr.panasonic.com