

PRODUCT DATASHEET

Panasonic

Product Name : 2M Mounting Frame

Product Code : WVTC07314

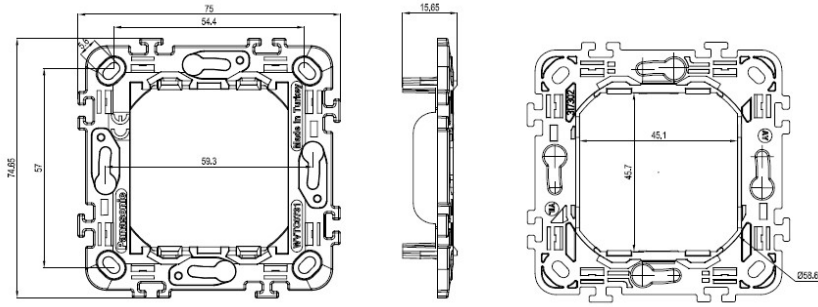


Technical Specifications:

Material : Metal

Certifications CE

Dimensions:



Panasonic Electric Works Elektrik.San. ve Tic. A.Ş.
Abdurrahmangazi Mah. Ebubekir Cad. No: 44 Sancaktepe / İstanbul Tel: 0216 564 55 55 Fax: 0216 564 55 44
ewtr.panasonic.com