

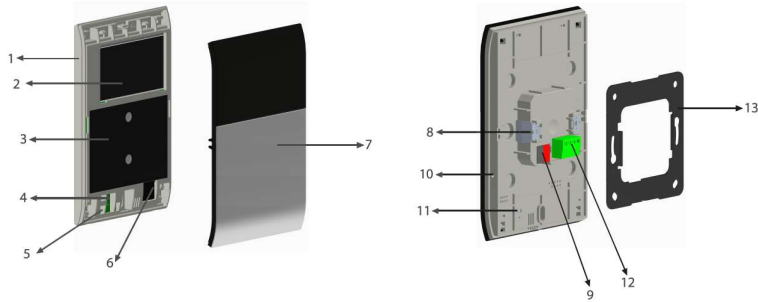
PRODUCT DATASHEET

Panasonic

Product Name :	<i>KNX MULTI FUNCTIONAL SWITCH 4 GANG MS104/MS104-D</i>
Product Code :	<i>WRKT62045FA-WRKT62145FA-WRKT62045FB-WRKT62145FB</i>
Product Series :	Thea IQ
Technical Specifications:	
<i>Supply Voltage</i>	<i>21-32 V DC via KNX bus</i>
<i>Type of protection</i>	<i>IP 20 to EN60529</i>
<i>Safety class</i>	<i>III to IEC 60664-1</i>
<i>Current consumption</i>	<i>With LCD 30mA, without LCD 10mA</i>
<i>Cable lenght for ext. inputs</i>	<i>Max. 3m</i>
<i>Operating temperature</i>	<i>-5°C ... + 45 °C</i>
<i>Temperature measurement</i>	<i>0°C to 45°C</i>
<i>Relative humidity</i>	<i>0% to 100%</i>

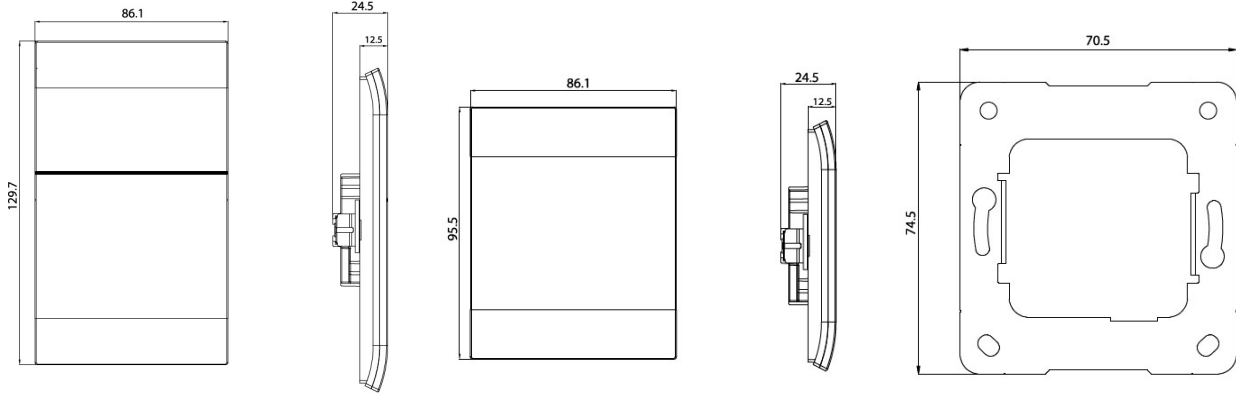


Product Component:



- 1- Main body
- 2- LCD display
- 3- Touch buttons and feedback LEDs
- 4- Proximity sensor
- 5- Temperature/Humidity sensor
- 6- Buzzer
- 7- Cover
- 8- Fixing clamps
- 9- KNX bus terminal
- 10- Brightness sensor
- 11- KNX programming button and LED
- 12- Digital and analog input
- 13- Mounting Frame

Dimensions:



Multi Functional Switch with LCD display

Multi Functional Switch

Mounting Frame

Panasonic Electric Works Elektrik.San. ve Tic. A.Ş.
 Abdurrahmangazi Mah. Ebubekir Cad. No: 44 Sancaktepe / Istanbul Tel: 0216 564 55 55 Fax: 0216 564 55 44
 ewtr.panasonic.com