

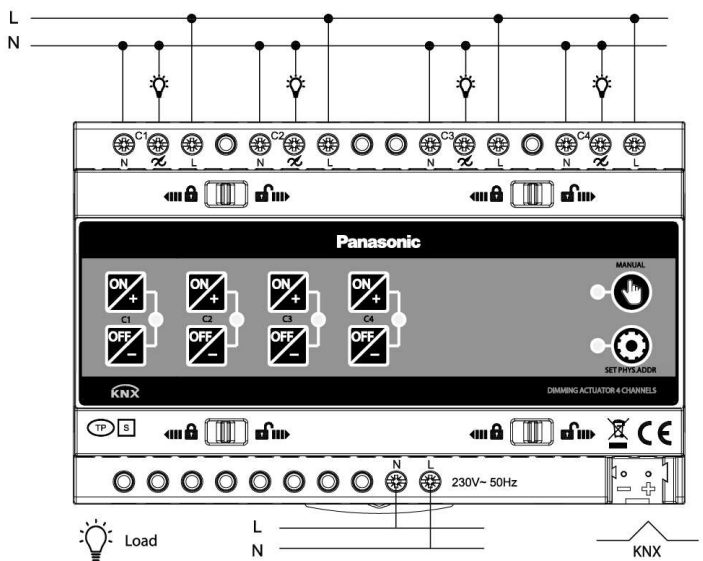
PRODUCT DATASHEET

Product Name :	<i>KNX DIMMING ACTUATOR 2 GANG 300W DM102 BIS</i>
Product Code :	<i>WRKT5512E</i>
Product Series :	<i>KNX Thea IQ</i>
Technical Specifications:	
<i>KNX Medium</i>	<i>TP1</i>
<i>Mode of commissioning</i>	<i>S-Mode</i>
<i>KNX supply</i>	<i>21-32 V DC</i>
<i>Mains supply</i>	<i>230 V AC</i>
<i>Mains frequency</i>	<i>50 Hz</i>
<i>Installation type</i>	<i>DIN rail</i>
<i>Mounting width</i>	<i>2 channels -72 mm 4 modules</i>
<i>Ambient temperature</i>	<i>-5°C ... + 45 °C</i>
<i>Storage temperature</i>	<i>-25 °C ... + 55 °C</i>
<i>Transportation temperature</i>	<i>- 25 °C ... + 70 °C</i>
Load Type	

ETS Parameter	Load			
	HV halogen, Incandescent lamps	LV halogen, 12V-LED via ferromagnetic transformer (inductive)	LV halogen, 12V-LED via electronic transformer (capacitive)	LED (Retrofit), CFL
Universal	✓	✓	✓	⊘
Capacitive (phase cut off)	✓	⊘	✓	✓
Inductive (phase cut on)	✓	✓	⊘	✓

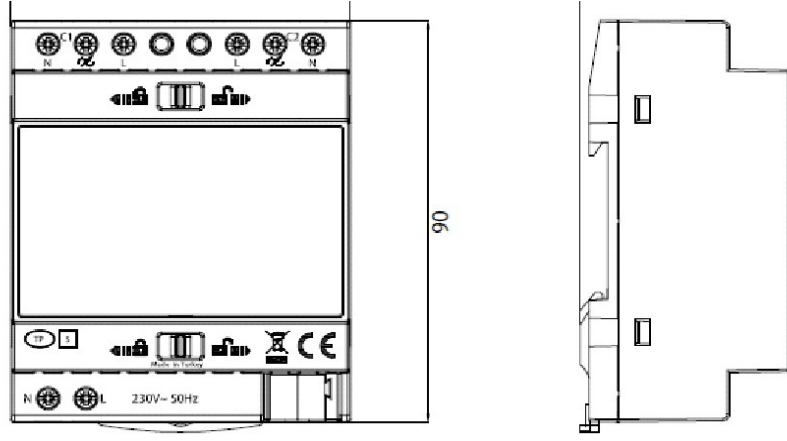
✓	Usage possible
⊘	Usage not possible
⊗	Usage is not recommended

Wiring Diagram:



Dimensions:





Panasonic Electric Works Elektrik.San. ve Tic. A.Ş.

Abdurrahmangazi Mah. Ebubekir Cad. No: 44 Sancaktepe / İstanbul Tel: 0216 564 55 55 Fax: 0216 564 55 44

ewtr.panasonic.com

Panasonic



ossible

ot recommended

not possible (Device damage)

