

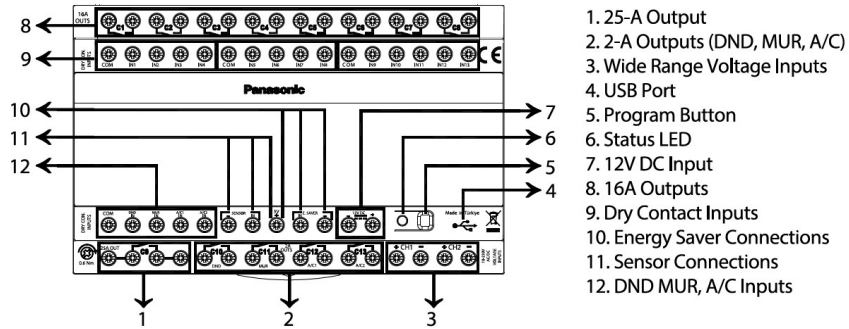
PRODUCT DATASHEET

Panasonic

Product Name :	ROOM CONTROLLER
Product Code :	WRKT4100J5NC 8 DRY-IN / 6 RELAY-OUT RC100 WRKT4101J5NC 19 DRY-IN / 2 VOL-IN / 13 RELAY-OUT RC101
Product Series :	Thea IQ
Technical Specifications:	
<i>Operating voltage</i>	12V DC ($\pm 5\%$) SELV
<i>Power consumption</i>	<3W (RC100) <6W (RC101)
<i>Mounting (IEC60715)</i>	35 mm top-hat rail (TH35)
<i>Mounting width</i>	DIN rail 144mm (8 modules)
<i>Ambient temperature</i>	-5°C ... + 45 °C
<i>Storage temperature</i>	-10°C ... + 55 °C
<i>Ambient humidity</i>	5...93% (non-condensing)



Product Components:



Dimensions:

