

PRODUCT DATASHEET

Panasonic

Product Name : KNX WATER LEAKAGE DETECTOR

Product Code : WRKT35005NC

Product Series : Thea IQ

Technical Specifications:

Supply voltage 12V DC (SELV)

Current consumption 100mA

Operating temperature -5°C ... + 45 °C

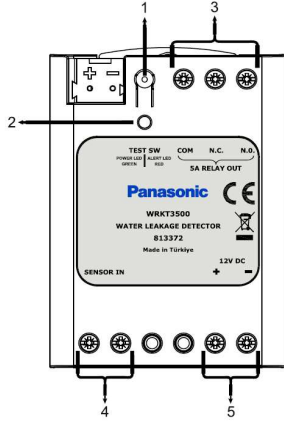
Operating temperature -10°C ... + 55 °C

Type of protection IP 20 to EN60529

Safety class II to IEC 60664

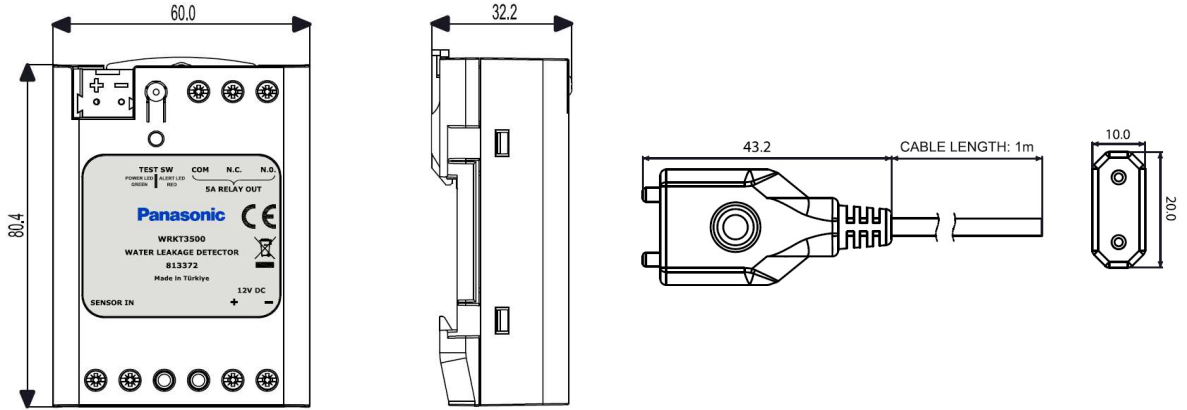


Product Components:



- 1- Test switch can be used for the final check of the output functionality and the buzzer.
- 2- Status led shows the devices status. Green colour shows the power. Red colour shows the alert.
- 3- Relay connection terminals.
- 4- Sensor connection terminals.
- 5- Power connection terminals.

Dimensions:



Panasonic Electric Works Elektrik.San. ve Tic. A.Ş.

Abdurrahmangazi Mah. Ebubekir Cad. No: 44 Sancaktepe / İstanbul Tel: 0216 564 55 55 Fax: 0216 564 55 44

ewtr.panasonic.com