

## PRODUCT DATASHEET

# Panasonic

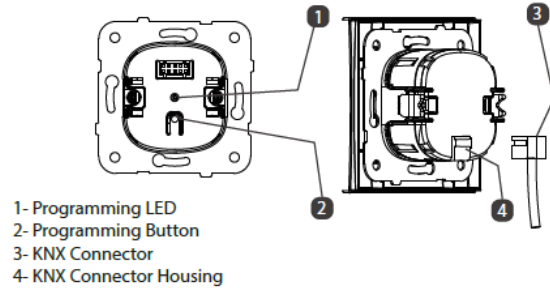
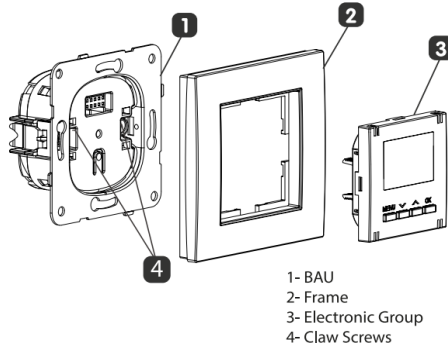
<b>Product Name :</b>	KNX STANDART THERMOSTAT WHITE BACKLIGHT and BAU
<b>Product Code :</b>	WRKT33205*-WRKT34205*
<b>Technical Specifications:</b>	
Programming Mode	S Mode
Operating voltage	DC 21-32 V (from KNX bus)
Ambient temperature	-10°C ... + 55 °C
Storage temperature	-5°C... + 45 °C
Ambient humidity	5...93% (non-condensing)
Maximum current consumption	Max 10 mA
KNX bu connetion	KNX connector (243-211 Wago)
<b>Colour Options :</b>	*= Shows Colour Item AN= Anthracite, BG= Beige, BL= Black, DG= Dark Grey, DR= Dore, MW= Metallic White, WH= White



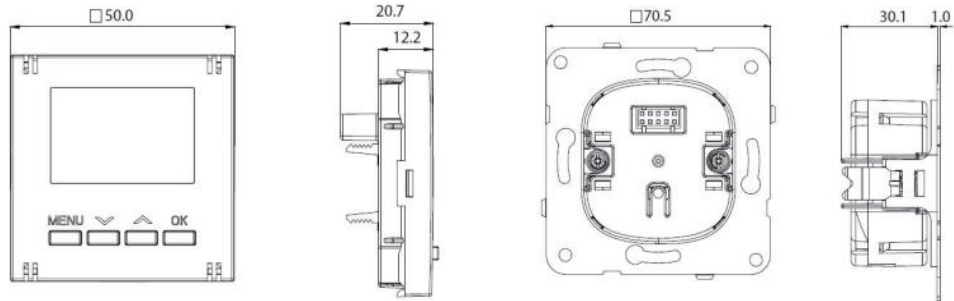
### Functional Specifications

- Comfort / standby / night-economy / building protection mode
- Fan control
- Heating/Cooling mode control
- Set date/time
- 2 different weekly program
- Backlight

### Product Components



### Dimensions:



Panasonic Electric Works Elektrik.San. ve Tic. A.Ş.  
Abdurrahmangazi Mah. Ebubekir Cad. No: 44 Sancaktepe / İstanbul Tel: 0216 564 55 55 Fax: 0216 564 55 44  
ewtr.panasonic.com