

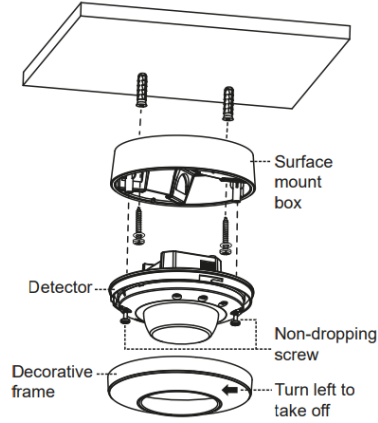
PRODUCT DATASHEET

Panasonic

Product Name :	KNX CORRİDOR TYPE DETECTOR (Surface Mounted-Flush Mounted)
Product Code :	WRKT32105NC - WRKT32205NC
Product Series :	Thea IQ
Technical Specifications:	
<i>Rated voltage</i>	24VDC (via KNX bus)
<i>Operating temperature</i>	-20°C ~ +45°C
<i>Rated protection</i>	IP 20
<i>Current Draw</i>	Approx. 10mA



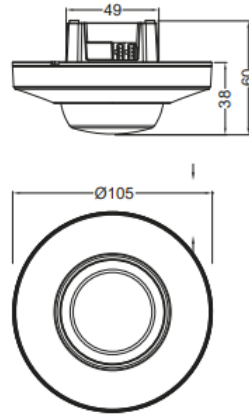
Product Components:



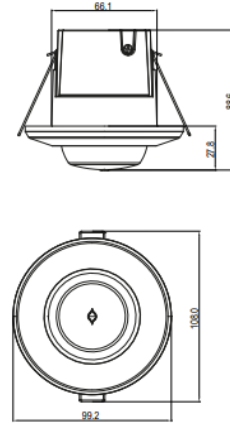
1. Surface mount box
2. Detector
3. Non-dropping screw
4. Decorative frame
5. Non-dropping screw
6. Turn left to take off

Dimensions:

Surface Mounted



Flush Mounted



Panasonic Electric Works Elektrik.San. ve Tic. A.Ş.

Abdurrahmangazi Mah. Ebubekir Cad. No: 44 Sancaktepe / İstanbul Tel: 0216 564 55 55 Fax: 0216 564 55 44

ewtr.panasonic.com