

## PRODUCT DATASHEET

# Panasonic

**Product Name :** KNX IR INTERFACE IR100/IR TRANSMITTER/IR RECEIVER

**Product Code :** WRKT26115NC-WRKT26401NC-WRKT26411NC

**Product Series :** Thea IQ

### Technical Specifications:

**Operating voltage** DC 21-32 V (from KNX bus)

**Ambient temperature** -5°C ... + 45 °C

**IR transmitter transmitting angle (\*)** 40°

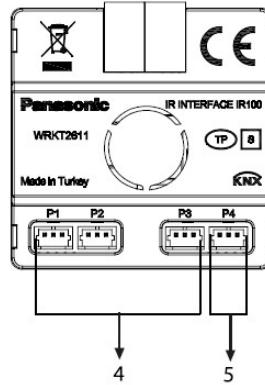
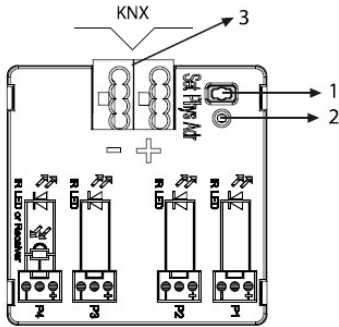
**IR transmitter maximum transmitting distance (\*)** 5.5m

**Type of protection** IP 20 to EN60529

**Safety class** III to IEC 60664-1

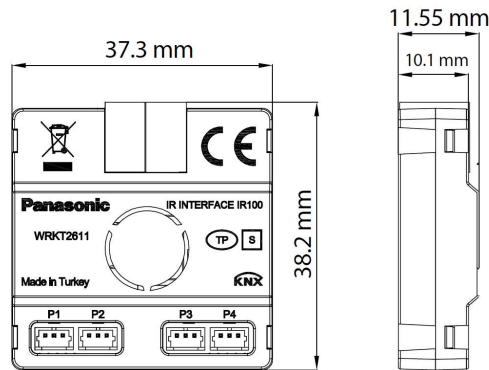


### Product Components:



- 1- KNX programming button
- 2- KNX programming LED
- 3- KNX connector
- 4- IR transmitter ports
- 5- IR receiver/transmitter port  
(can be selected by ETS)
- 6- IR receiver
- 7- IR transmitter

### Dimensions:



Panasonic Electric Works Elektrik.San. ve Tic. A.Ş.

Abdurrahmangazi Mah. Ebubekir Cad. No: 44 Sancaktepe / İstanbul Tel: 0216 564 55 55 Fax: 0216 564 55 44

ewtr.panasonic.com