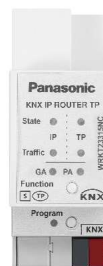


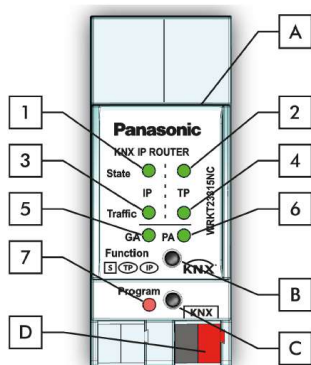
PRODUCT DATASHEET

Panasonic

Product Name :	KNX IP ROUTER TP
Product Code :	WRKT23315NC
Product Series :	Thea IQ
Technical Specifications:	
<i>Supply voltage</i>	21 ... 30 V DC (SELV)
<i>Current consumption</i>	< 20mA (from main line)
<i>Width in space units</i>	2 modules at 18 mm
<i>Storage temperature</i>	-20 °C ... + 60 °C
<i>Operating temperature</i>	-5°C ... + 45 °C
<i>Type of protection</i>	IP 20 to EN60529
<i>Safety class</i>	III to IEC 60664-1



Connectors, Buttons and LED's Description:

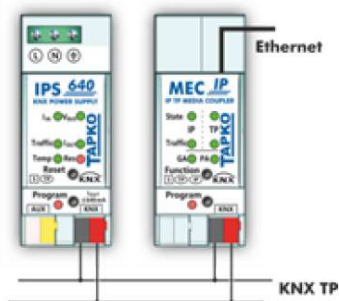


- A. Ethernet connector
 B. Function button
 C. Programming button
 D. KNX TP connector
1. State IP (Main line)
 green: Main line OK
 orange: Manual Function active

2. Bus state KNX TP (Subline)
 green: Subline OK
3. Telegram traffic IP (Main line)
 green (blinking): Telegram traffic extent
 red (blinking): Transmission error

4. Telegram traffic KNX TP (Subline)
 green (blinking): Telegram traffic extent
 red (blinking): Transmission error
5. Group Address routing
 green: Filter active
 orange: Route all
 red: Block all
 <off>: Main line / subline different
6. Physical Address routing
 green: Filter active
 orange: Route all
 red: Block all
 <off>: Main line / subline different
7. Programming LED
 red: Programming Mode active
 red (blinking): No IP connection

Installation and Maintenance:



- The housing must not be opened
- Protect the device from moisture, dirt and damage
- The device needs no maintenance
- If necessary, the device can be cleaned with a dry cloth
- In the case of damage (at storage, transport) no repairs may be carried out by unauthorized personnel
- Configuration details and ETS database:

Panasonic Electric Works Elektrik.San. ve Tic. A.Ş.

Abdurrahmangazi Mah. Ebubekir Cad. No: 44 Sancaktepe / İstanbul Tel: 0216 564 55 55 Fax: 0216 564 55 44

ewtr.panasonic.com