

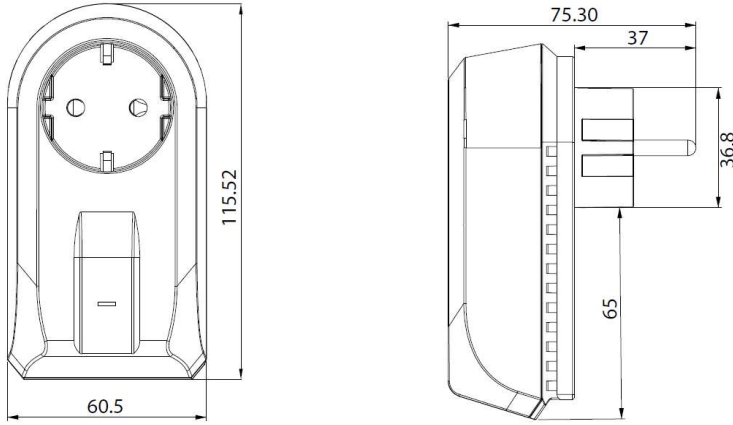
PRODUCT DATASHEET

V:KO
by **Panasonic**

Product Name :	<i>Surge Protected Single Socket 1080J</i>
Product Code :	<i>WATC00025GR</i>
Product Series :	Accessories
Certifications :	CE, PGD, WEEE, TSE



Dimensions:



Panasonic Electric Works Elektrik.San. ve Tic. A.Ş.
Abdurrahmangazi Mah. Ebubekir Cad. No: 44 Sancaktepe / İstanbul Tel: 0216 564 55 55 Fax: 0216 564 55 44
ewtr.panasonic.com