

**PRODUCT DATASHEET**



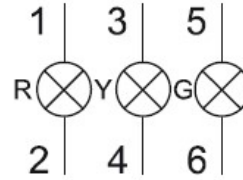
<b>Product Name :</b>	<i>Modular Signal Lamp</i>
<b>Product Codes :</b>	<i>VTSR-3/S, VTSR-B/S, VTSR-G/S, VTSR-R/S, VTSR-W/S, VTSR-Y/S,</i>
<b>Technical Specifications:</b>	
<b>Rated Voltage</b>	<i>230V AC</i>
<b>Max Power</b>	<i>0.6W</i>
<b>Rated Frequency</b>	<i>50/60 Hz</i>
<b>Colour</b>	<i>For single Colour: Red, Green, Yellow For Multi Colour: Red / Green / Yellow , Red / Green / Blue</i>
<b>Insulation</b>	<i>Onn symmetrical DIN rail 35mm, Panel mounting</i>
<b>Illumination</b>	<i>LED</i>
<b>Connection Terminal</b>	<i>Pillar terminal with clamp</i>
<b>Connection Capacity</b>	<i>Rigid conductor 1.5mm<sup>2</sup></i>
<b>Service Duration</b>	<i>30.000 hours</i>
<b>Standard and Quality Sertificates</b>	<i>IEC/EN 60947-5-1, CE, WEEE</i>

**Circuit Diagram**

Single Colour Modular Signal Lamp

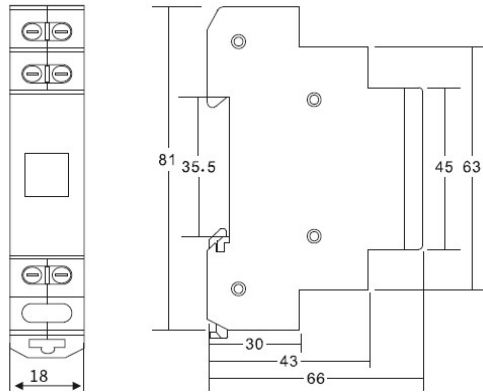


Multi Colour Modular Signal Lamp



**Dimensions**

Single Colour Modular Signal Lamp



Multi Colour Modular Signal Lamp

