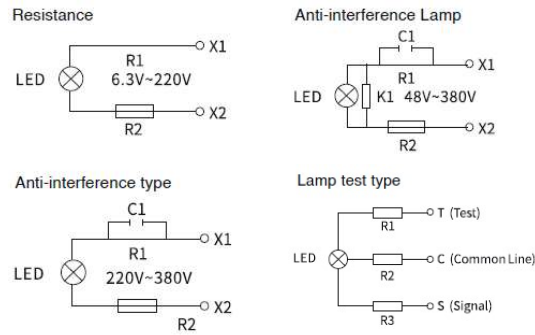


## PRODUCT DATASHEET

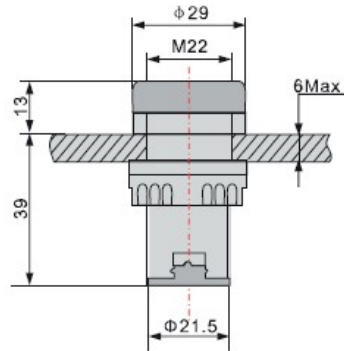


<b>Product Name :</b>	<i>Panel Type Signal Lamp</i>
<b>Product Codes :</b>	<i>VTSP-B/B, VTSP-B/S, VTSP-G/B, VTSP-G/S, R/B, VTSP-R/S, VTSP-W/B, VTSP-W/S, VTSP-Y/B, VTSP-Y/S</i>
<b>Technical Specifications:</b>	
<b>Rated Operation Voltage Ue</b>	<i>AC/DC 24V, AC/DC 220V</i>
<b>Rated Operation Current Ie</b>	<i>≤80mA, ≤20mA,</i>
<b>Electrical Life</b>	<i>≥3000h</i>
<b>Brightness</b>	<i>≥60</i>
<b>Operating temperature</b>	<i>-5° ... +40°</i>
<b>Power-frequency withstand voltage</b>	<i>2500V, min</i>
<b>Base colour</b>	<i>Green, Yellow, Red, Blue, White</i>
<b>Installation degree</b>	<i>III</i>
<b>Pollution degree</b>	<i>3</i>
<b>Protection Class</b>	<i>IP65</i>
<b>Standard and Quality Certificates</b>	<i>IEC/EN 60947-5-1, CE, WEEE</i>

### Connection Diagrams



### Dimensions



Panasonic Electric Works Elektrik.San. ve Tic. A.Ş.  
 Abdurrahmangazi Mah. Ebubekir Cad. No: 44 Sancaktepe / İstanbul Tel: 0216 564 55 55 Fax: 0216 564 55 44  
 ewtr.panasonic.com