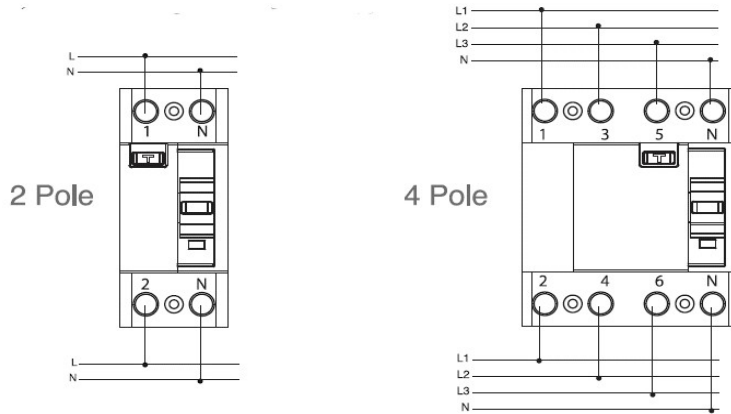


## PRODUCT DATASHEET

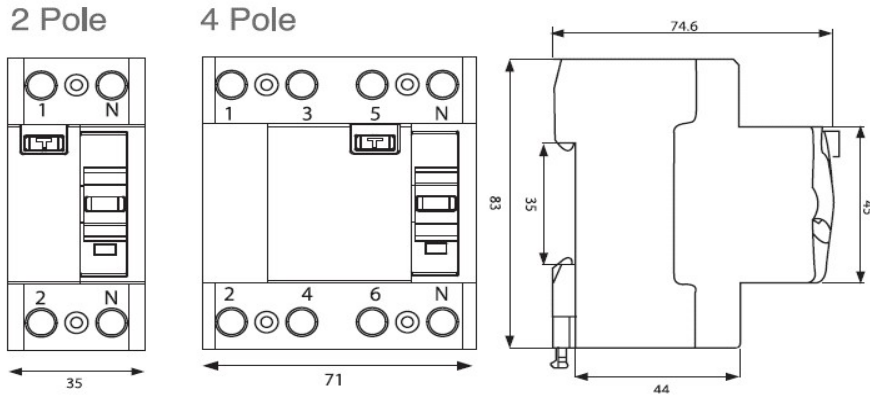


<b>Product Name :</b>	<i>Residual Current Circuit Breaker</i>
<b>Product Codes :</b>	<i>VTR2-2530, VTR2-25300, VTR2-3230, VTR2-4030, VTR2-40300, VTR2-6330, VTR2-63300, VTR2-8030, VTR2-80300, VTR4-2530, VTR4-10030, VTR4-100300, VTR4-2530, VTR4-25300, VTR4-3230, VTR4-32300, VTR4-4030, VTR4-40300, VTR4-6330, VTR4-63300, VTR4-8030, VTR4-80300</i>
<b>Technical Specifications:</b>	
<b>Number of Pole</b>	<i>For VTR-2 1P+N, For VTR-4 3P+N</i>
<b>Cable Section</b>	<i>13 mm</i>
<b>Rated Frequency</b>	<i>50 Hz</i>
<b>Rated Voltage</b>	<i>For VTR-2 230/400V , For VTR-4 400V</i>
<b>Rated Residual Current</b>	<i>For VTR-2 30 mA, For VTR-4 300 mA</i>
<b>Standard and Quality Certificates</b>	<i>TS EN 61008-1, TSE, CE, WEEE, Ukr</i>

### Connection Diagrams



### Dimensions



Panasonic Electric Works Elektrik.San. ve Tic. A.Ş.  
 Abdurrahmangazi Mah. Ebubekir Cad. No: 44 Sancaktepe / İstanbul Tel: 0216 564 55 55 Fax: 0216 564 55 44  
 ewtr.panasonic.com