

## KNX Standard Thermostat

### WRKT33205XX

KNX STANDARD THERMOSTAT V2.0  
WHITE BACKLIGHT

### WRKT34205NC

KNX STANDARD THERMOSTAT BAU  
(BUS ACCESS UNIT) V2.0



### General Features

Room temperature controller senses the current room temperature and controls the heating and/or cooling system. Device has 2 different weekly switching programs which can be programmed separately by user.

The display is backlighted for reading easily. The Room temperature controller is fitted with push-switches and an LCD to show and change the current operating modes and values. The room temperature controller does not require an auxiliary power supply. The Engineering Tool Software (from ETS) is used to assign the physical address and set the parameters.

The following functions can be done using the thermostat.

- Comfort / standby / night-economy / building protection mode
- Fan control
- Heating/Cooling mode control
- Set date/time
- 2 different weekly program
- Backlight

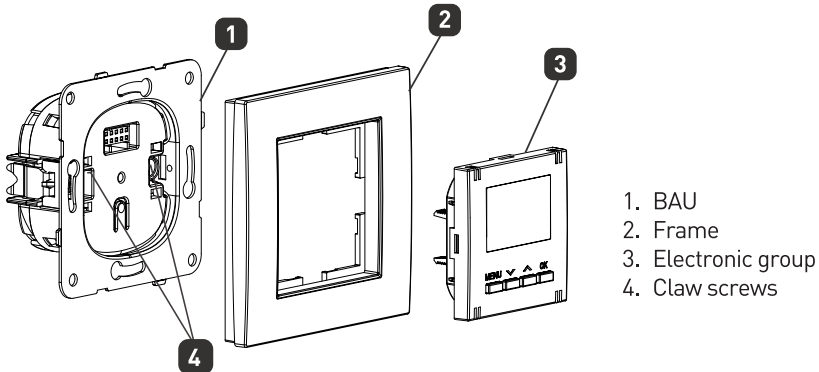
**Comfort mode:** Heater/Cooler at normal level.

**Standby mode:** Heater/Cooler at slightly reduced.

**Night/Economy mode:** Heater/Cooler power is considerably reduced.

**Building Protection mode:** Prevent the room from freezing or overheating.

## Installation



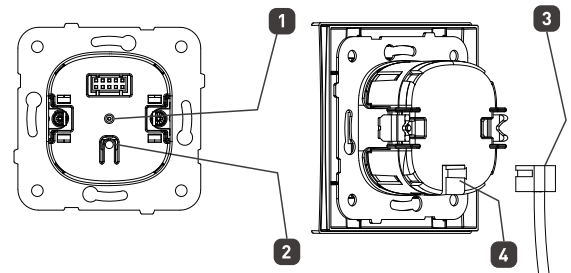
1. BAU
2. Frame
3. Electronic group
4. Claw screws

Make the connection according to connection diagram 2. Screw down the bus access unit (1) to installation case on the wall by using claw screws (4). Install the frame (2) to BAU (1). Install the electronic group (3) to BAU (1) after checking the connectors position.

## Technical Data

Programming mode	S mode
Operating voltage	DC 21-32 V (from KNX bus)
Ambient temperature	-10 °C... +55 °C
Storage temperature	-5 °C... +45 °C
Ambient humidity	5...93% (non-condensing)
Maximum current consumption	Max 10 mA
KNX bus connection	KNX connector (243-211 Wago)

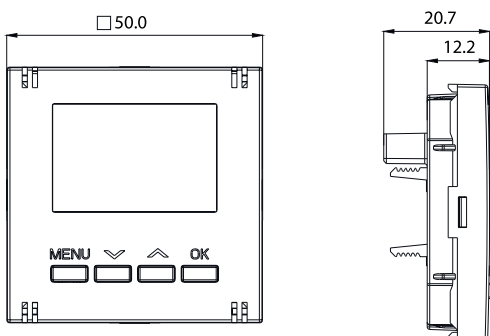
## Product Components



1. Programming LED
2. Programming button
3. KNX connector
4. KNX connector housing

## Dimensional Drawings

### • Standard thermostat



### • Thermostat BAU (Bus access unit)

