

## KNX Modular Thermostat

### WRKT33105XX

KNX MODULAR THERMOSTAT V2.0  
WHITE BACKLIGHT



### General Features

Room temperature controller senses the current room temperature and controls the heating and/or cooling system. Device has 2 different weekly switching programs which can be programmed separately by user.

The display is backlighted for reading easily. The Room temperature controller is fitted with push-switches and an LCD to show and change the current operating modes and values. The room temperature controller does not require an auxiliary power supply. The Engineering Tool Software (from ETS) is used to assign the physical address and set the parameters.

The following functions can be done using the thermostat.

- Comfort / standby / night-economy / building protection mode
- Fan control
- Heating/Cooling mode control
- Set date/time
- 2 different weekly program
- Backlight

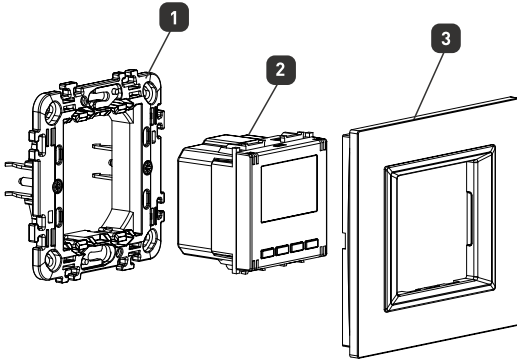
**Comfort mode:** Heater/Cooler at normal level.

**Standby mode:** Heater/Cooler at slightly reduced.

**Night/Economy mode:** Heater/Cooler power is considerably reduced.

**Building Protection mode:** Prevent the room from freezing or overheating.

## Installation



1. Mounting Frame
2. Module
3. Frame

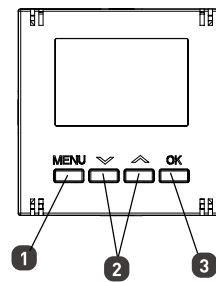
Connect the cables, according to the connection diagram 1. Place the mounting frame (1) in the mounting box and fix the screws with an appropriate screwdriver. Place the module (2) to the mounting frame (1) with the help of clips. Fix the frame (3) to the mounting frame (1).

## Technical Data

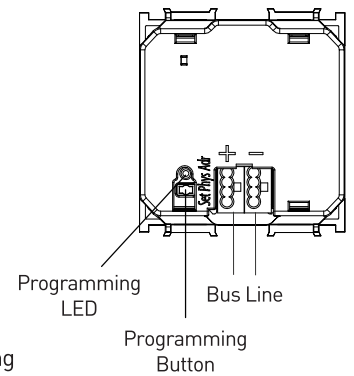
Programming mode	S mode
Operating voltage	DC 21-32 V (from KNX bus)
Ambient temperature	-10 °C... +55 °C
Storage temperature	-5 °C... +45 °C
Ambient humidity	5...93% (non-condensing)
Maximum current consumption	Max 10 mA
KNX bu connection	KNX connector (243-211 Wago)

## Product Components

### Modular Thermostat

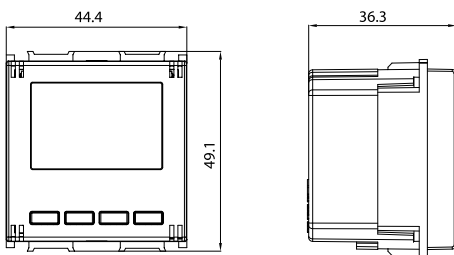


1. MENU: Setting
2. Up-Down Buttons: Changing
3. OK: Confirming selections



## Dimensional Drawings

### • Thermostat module



### • Mounting frame

