

KNX Modular Push Button



WRKT63215NC	KNX MODULAR PUSH BUTTON MULTI COLOR 1 GANG 2M
WRKT63225NC	KNX MODULAR PUSH BUTTON MULTI COLOR 2 GANG 2M
WRKT63245NC	KNX MODULAR PUSH BUTTON MULTI COLOR 4 GANG 2M
WRKT63335NC	KNX MODULAR PUSH BUTTON MULTI COLOR 3 GANG 3M
WRKT63445NC	KNX MODULAR PUSH BUTTON MULTI COLOR 4 GANG 4M
WRKT64215NC	KNX MODULAR PUSH BUTTON MULTI COLOR+TEMP 1 GANG 2M
WRKT64225NC	KNX MODULAR PUSH BUTTON MULTI COLOR+TEMP 2 GANG 2M
WRKT64245NC	KNX MODULAR PUSH BUTTON MULTI COLOR+TEMP 4 GANG 2M
WRKT64335NC	KNX MODULAR PUSH BUTTON MULTI COLOR+TEMP 3 GANG 3M
WRKT64445NC	KNX MODULAR PUSH BUTTON MULTI COLOR+TEMP 4 GANG 4M



Functional Specifications

1 gang MD, 2 gang MD, 3 gang MD and 4 gang MD are KNX switches with up to 4 rockers and 2 multi-color LED per rocker. They can be used to send commands to KNX system for controlling actuators, to dim or switch lights ON / OFF, to move blinds up-down or to save/recall light scenes.

The following functions can be configured:

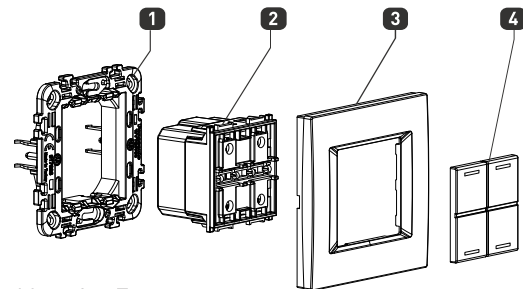
- Switching control
- Dimming control
- Blinds control
- Scene control
- Value dimming control
- Value transmitter control
- Single button operations

Each LEDs can be controlled via an KNX object, display the actual status or remain permanently on or off.

The telegram type (switching, priority, value, temperature etc.) can be configurable individually. WRKT64215NC, WRKT64225NC, WRKT64335NC, WRKT64245NC and WRKT64445NC models includes temperature and humidity sensors on board. Sensor information can be transmitted to KNX line.

Assembly

- Connect the cables as shown in the connection diagram.
- Place the mounting frame (1) in the mounting box and fasten the screws of the claws with an appropriate screwdriver.
- Place the module (2) to the mounting frame (1) with help of clips.
- Put the frame (3) to the mounting frame (1).
- Place the button (4) to the frame (3).



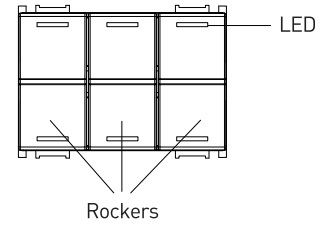
1. Mounting Frame
2. Module
3. Frame
4. Button

Technical Data

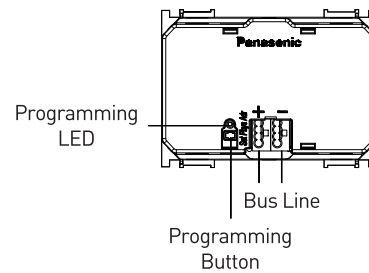
Programming mode	S mode
Power supply	21 to 32 V DC via KNX bus
Current draw from bus voltage	Max 10 mA
Bus connection	Bus terminal
Type of protection	IP 20 to EN 60529
Degree of pollution	2 to IEC 60664-1
Protection class	Class III to IEC 61140
Overvoltage class	Class III to IEC 60664-1
Temperature range	Operation -5 °C... +45 °C Storage -10 °C... +55 °C Transport -25 °C... +70 °C
Relative humidity	0% to 100%
Relative humidity measurements (for models with sensors)	0 °C... +45 °C
Cable type	Twisted pair

Product Components

• Front View

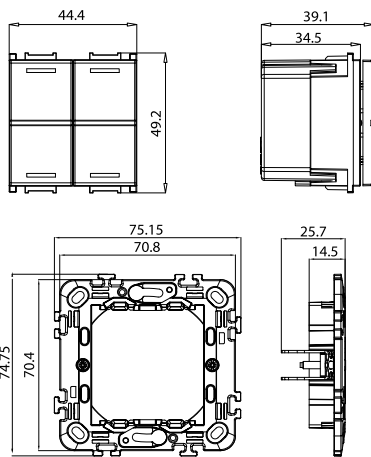


• Back View

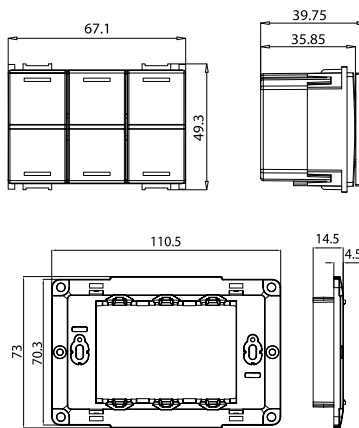


Dimensional Drawings

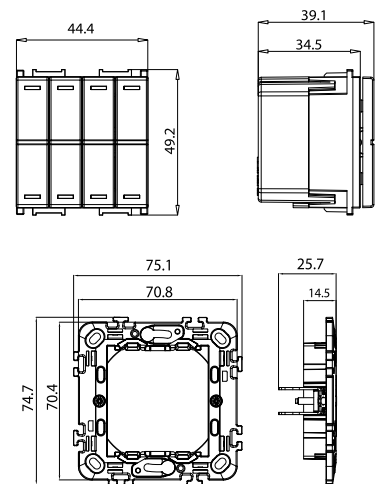
• 1 gang / 2 gang 2M mechanism and mounting frame



• 3 gang 3M mechanism and mounting frame



• 4 gang 2M mechanism and mounting frame



• 4 gang 4M mechanism and mounting frame

