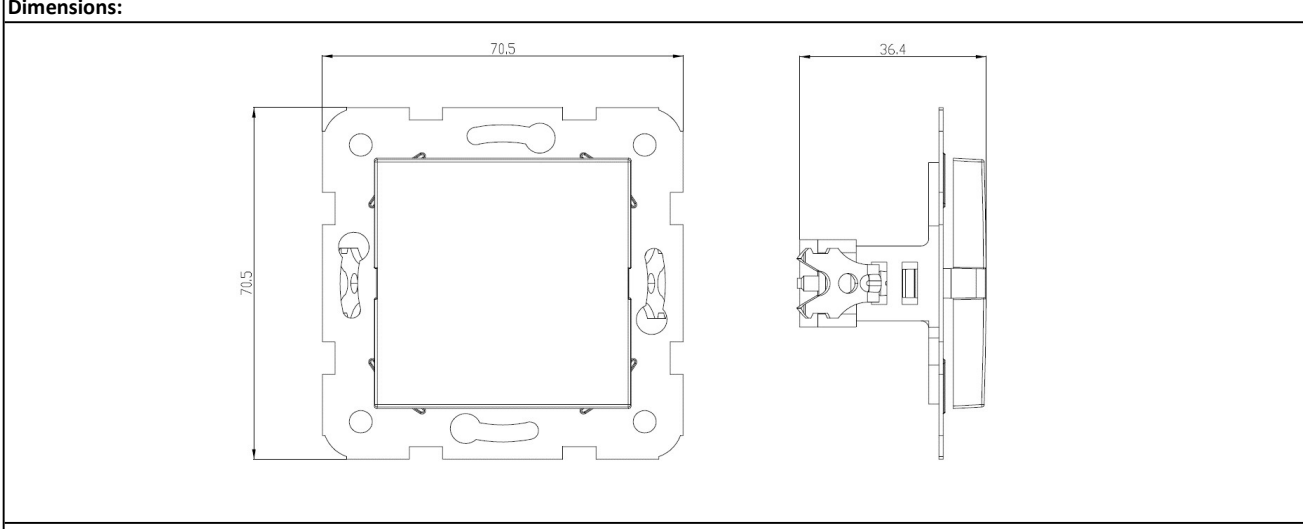


PRODUCT DATASHEET



Product Name :	<i>Blank Cover Mechanism+Cover</i>
Product Code :	92209*10-92605*26
Product Series :	Novella/Trenda
Technical Specifications:	
Material :	ABS (Acrylonitrile Butadine-Styrene)
Colour :	*= Shows Color Item 0= Silver, 1= Satin, 2= Bronze, 3= Anthracite, 4= Dark Grey, 5= Black, 6=Methalic White, 7=Opaque White 8= Beige
Certificates :	CE



Panasonic Electric Works Elektrik.San. ve Tic. A.Ş.
Abdurrahmangazi Mah. Ebubekir Cad. No: 44 Sancaktepe / İstanbul Tel: 0216 564 55 55 Fax: 0216 564 55 44
ewtr.panasonic.com