

PRODUCT DATASHEET

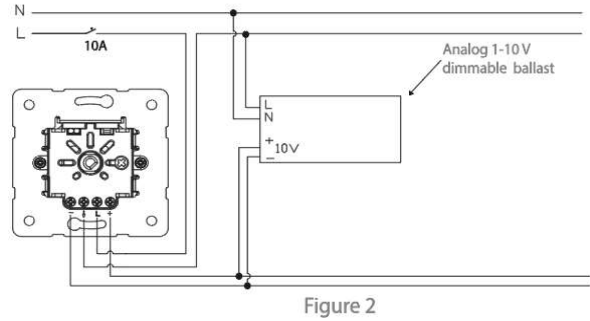
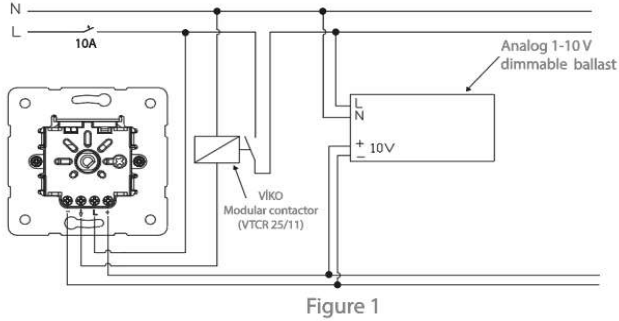


Product Name :	1-10V Dimmer
Product Code :	92106*84
Product Series :	Novella/Trenda
Technical Specifications:	
Control Voltage :	0.8V - 11V
Control Curren:	Max. 50mA
Switching Current for AC 230V	5AX
Certifications:	VDE, CE, PDG, WEEE
Colour :	*= Shows Color Item 0= Silver, 1= Satin, 2= Bronze, 3= Anthracite, 4= Dark Grey, 5= Black, 6=Methalic White, 7=Opaque White 8= Beige
Material :	ABS (Acrylonitrile Butadine-Styrene)

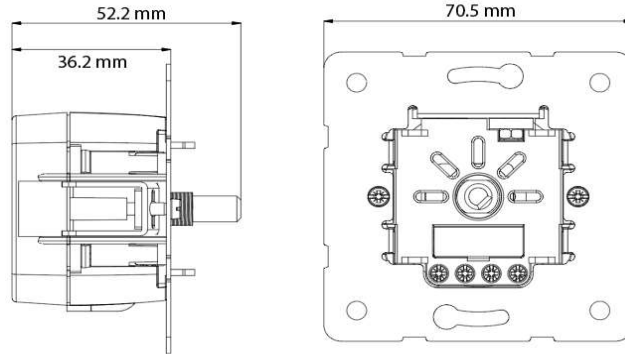


Wiring Diagram:

Connection in Figure 1 is for loads over 230 VAC 5AX,
Connection in Figure 2 is for loads up to 230 VAC 5AX.



Dimensions:



Panasonic Electric Works Elektrik.San. ve Tic. A.Ş.
Abdurrahmangazi Mah. Ebubekir Cad. No: 44 Sancaktepe / İstanbul Tel: 0216 564 55 55 Fax: 0216 564 55 44
ewtr.panasonic.com