

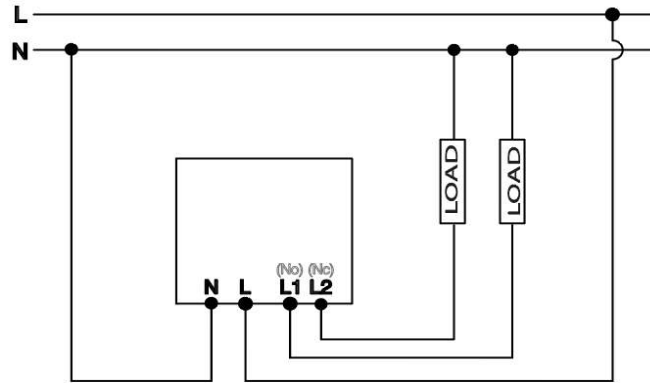
PRODUCT DATASHEET

V:KO
by **Panasonic**

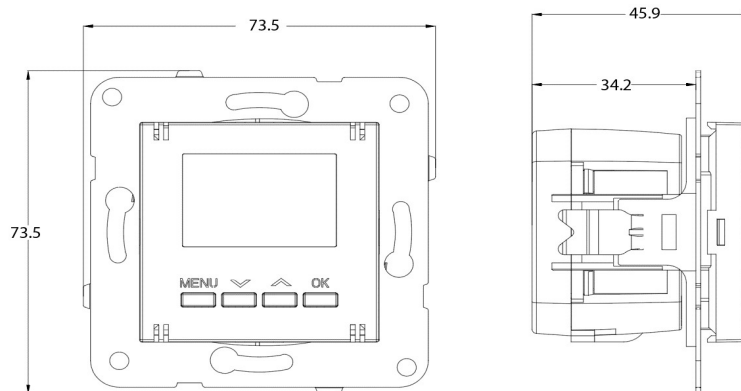
Product Name :	Digital Thermostat Mechanism+Upper Module
Product Code :	92106*62
Product Series :	Novella/Trenda
Technical Specifications:	
<i>Operating Voltage</i>	230V ~±10%, 50Hz
<i>Maximum Output Current</i>	Changeover/Normally Open Contact (No): 10(2)A 230 VAC Changeover/Normally Closed Contact (No): 5(1)A 230 VAC
<i>Power Reserve</i>	About 6 hour at 25°C
<i>Memory Capacity</i>	4 operating range per day
<i>Set point accuracy</i>	0.5°C
<i>Time Program Set Accuracy</i>	15 min.
<i>Operating Temperature</i>	0-30°C
Material :	ABS (Acrylonitrile Butadiene-Styrene)
Colour :	*= Shows Color Item 0= Silver, 1= Satin, 2= Bronze, 3= Anthracite, 4= Dark Grey, 5= Black, 6=Methalic White, 7=Opaque White 8= Beige
Certificates :	CE, WEEE



Wiring Diagram:



Dimensions:



Panasonic Electric Works Elektrik.San. ve Tic. A.Ş.
Abdurrahmangazi Mah. Ebubekir Cad. No: 44 Sancaktepe / İstanbul Tel: 0216 564 55 55 Fax: 0216 564 55 44
ewtr.panasonic.com