
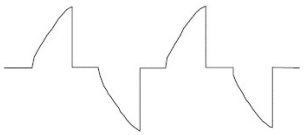
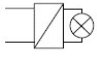


PRODUCT DATASHEET



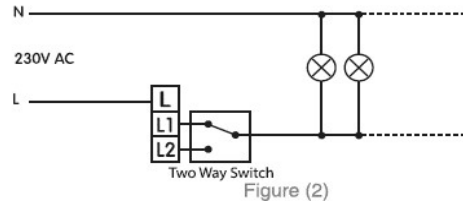
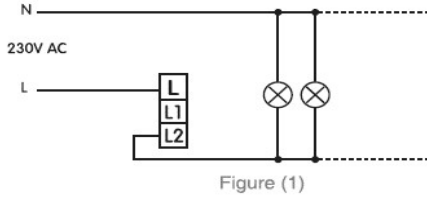
Product Name :	Rotative RC 400W Dimmer Mechanism+Button
Product Code :	92106*42
Product Series :	Novella/Trenda
Technical Specifications:	
<i>Operating Voltage :</i>	230V ~ , 50Hz
<i>Maximum Output Power:</i>	400 W (R Type Load), 400 VA (C Type Load)
<i>Minimum Output Power:</i>	40 W (R Type Load), 40 VA (C Type Load)
Certifications:	PDG, WEEE
Material :	ABS (Acrylonitrile Butadine-Styrene)
Colour :	*= Shows Color Item 0= Silver, 1= Satin, 2= Bronze, 3= Anthracite, 4= Dark Grey, 5= Black, 6=Methalic White, 7=Opaque White 8= Beige



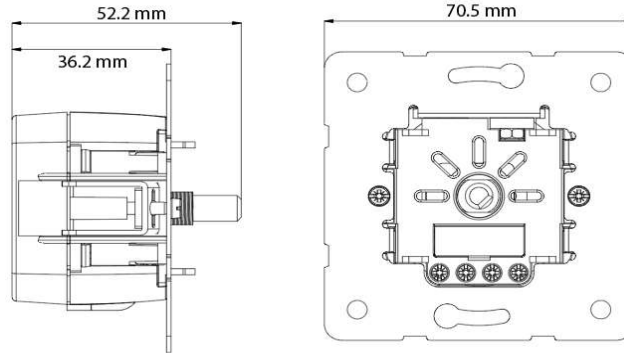
Load Type	Compatible Loads	Dim
R Type Load		Trailing Edge
	Incandescent lamps / 230V lamps	
C Type Load	Halogen lamps with electronic transformers / halogen lamps with low voltage	
		

Wiring Diagram:

Connection in Figure 1 is for normal switch use.
Connection in Figure 2 is for two-way switch use.



Dimensions:



Panasonic Electric Works Elektrik.San. ve Tic. A.Ş.
Abdurrahmangazi Mah. Ebubekir Cad. No: 44 Sancaktepe / İstanbul Tel: 0216 564 55 55 Fax: 0216 564 55 44
ewtr.panasonic.com