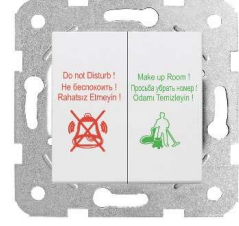


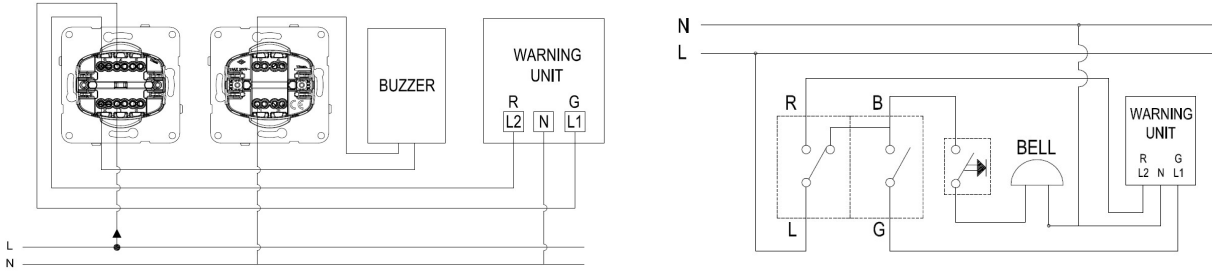
PRODUCT DATASHEET

V:KO
by **Panasonic**

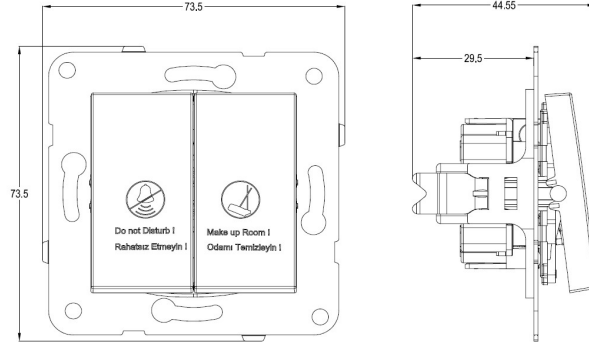
Product Name :	DND/MUR Two Gang Switch Mechanism+Button
Product Code :	92105*88
Product Series :	Novella/Trenda
Technical Specifications:	
<i>Rated Current :</i>	10AX, 250V~
<i>Terminal Type :</i>	Screw Terminal
Material of Button:	ABS (Acrylonitrile Butadine-Styrene)
Certificates :	TSE, VDE, NF, EAC, CE, WEEE
Colour :	*= Shows Color Item 0= Silver, 1= Satin, 2= Bronze, 3= Anthracite, 4= Dark Grey, 5= Black, 6=Methalic White, 7=Opaque White 8= Beige
Cable Standard:	
<i>Cable Diameter :</i>	1mm ² -2,5mm ²
<i>Applicable Cable:</i>	Solid Wire, Stranded Wire



Wiring and Circuit Diagram:



Dimensions:



Panasonic Electric Works Elektrik.San. ve Tic. A.Ş.
Abdurrahmangazi Mah. Ebubekir Cad. No: 44 Sancaktepe / İstanbul Tel: 0216 564 55 55 Fax: 0216 564 55 44
ewtr.panasonic.com