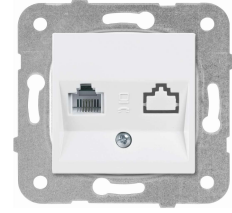


PRODUCT DATASHEET



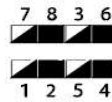
Product Name :	Single Data RJ45 CAT6 Mechanism+Cover
Product Code :	92105*78
Product Series :	Novella/Trenda
Technical Specifications:	
Material of Cover:	ABS (Acrylonitrile Butadine-Styrene)
Colour :	*= Shows Color Item 0= Silver, 1= Satin, 2= Bronze, 3= Anthracite, 4= Dark Grey, 5= Black, 6=Methalic White, 7=Opaque White 8= Beige
Certificates :	CE, WEEE



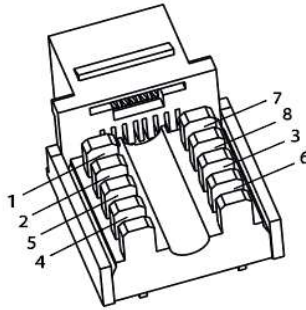
Product Details :
CAT6 data socket is suitable for 250 MHz data transmission.
CAT6 complies EIA/TIA standards and 568A-568B supports EIA/TIA.
Diameter of conductor to be used in numeris socket is between the range of 0.40 mm - 0.64 mm.

Wiring and Dimension:

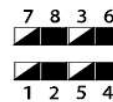
568 A



- 1- White - Green
- 2- Green
- 3- White - Blue
- 4- Blue
- 5- White - Orange
- 6- Orange
- 7- White - Brown
- 8- Brown



568 B



- 1- White - Orange
- 2- Orange
- 3- White - Blue
- 4- Blue
- 5- White - Green
- 6- Green
- 7- White - Brown
- 8- Brown

