

## PRODUCT DATASHEET



<b>Product Name :</b>	Motion Sensor 3W (V2)
<b>Product Code :</b>	92105455
<b>Product Series :</b>	Novella/Trenda
<b>Technical Specifications:</b>	
<i>Sensing Angle :</i>	180° Horizontal
<i>Sensing Distance :</i>	5m max.
<i>Supply Voltage :</i>	230 VAC ~ ± 10 % , 50 Hz
<i>Operating Temperature :</i>	0 ~ +35°C
<i>Mounting Height :</i>	1m ... 2m
<i>Inrush Current :</i>	Max. 20ms (For Glow Filament Lamps) 80A
<i>Daylight Setting :</i>	5...250 Lux



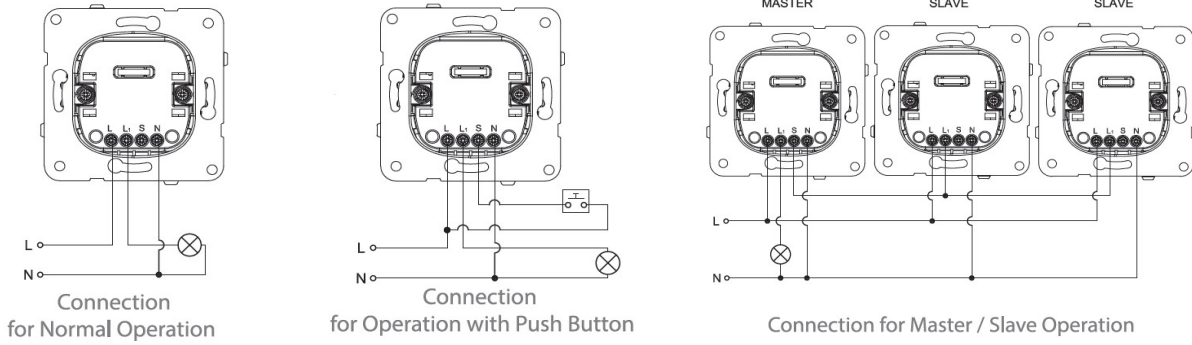
<b>Load Types :</b>	For incandescent lamps	2300 W
	For halogen lamps with mechanical transformer	1500VA
	For halogen lamps with electronic transformer	1500VA
	For CFL lamps	1500VA

**Material :** ABS (Acrylonitrile Butadine-Styrene)

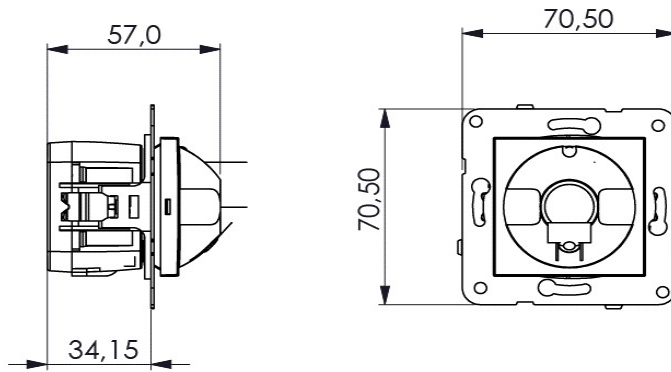
**Colour :** \*= Shows Color Item  
 0= Silver, 1= Satin, 2= Bronze, 3= Anthracite, 4= Dark Grey,  
 5= Black, 6=Methalic White, 7=Opaque White 8= Beige

**Certificates :** CE

**Connection Diagram:**



**Dimensions:**



Panasonic Electric Works Turkey Elektrik.San. ve Tic. A.Ş.  
 Abdurrahmangazi Mah. Ebubekir Cad. No: 44 Sancaktepe / Istanbul Tel: 0216 564 55 55 Fax: 0216 564 55 44  
 ewtr.panasonic.com