
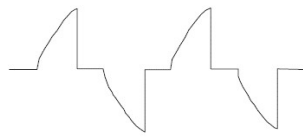
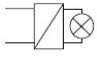


PRODUCT DATASHEET



Product Name :	Rotative RC 400W Dimmer Mechanism+Button
Product Code :	90967142
Product Series :	Karre / Meridian
Technical Specifications:	
<i>Operating Voltage :</i>	230V~, 50Hz
<i>Maximum Output Power:</i>	400 W (R Type Load), 400 VA (C Type Load)
<i>Minimum Output Power:</i>	40 W (R Type Load), 40 VA (C Type Load)
Certifications:	PDG, WEEE
Colour Options :	White, Beige
Material :	ABS (Acrylonitrile Butadine-Styrene)

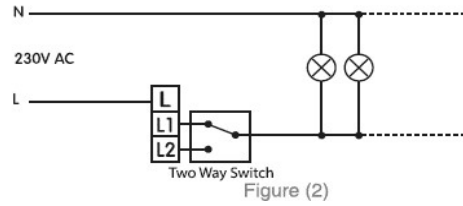
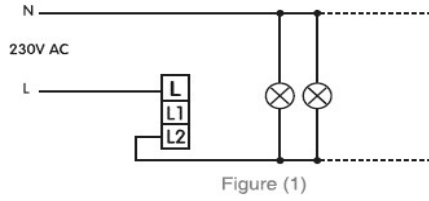


Load Type	Compatible Loads	Dim
R Type Load		Trailing Edge
	Incandescent lamps / 230V lamps	
C Type Load		
	Halogen lamps with electronic transformers / halogen lamps with low voltage	

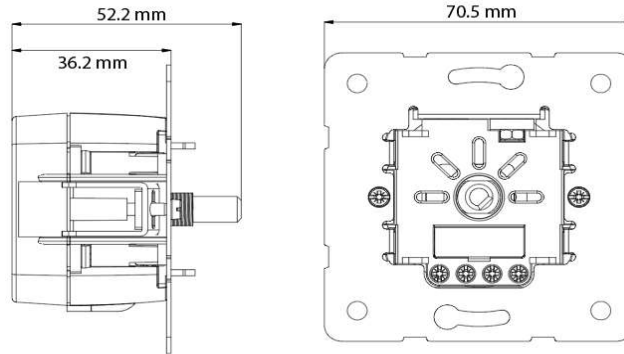
Wiring Diagram:

Connection in Figure 1 is for normal switch use.

Connection in Figure 2 is for two-way switch use.



Dimensions:



Panasonic Electric Works Elektrik.San. ve Tic. A.Ş.
 Abdurrahmangazi Mah. Ebubekir Cad. No: 44 Sancaktepe / Istanbul Tel: 0216 564 55 55 Fax: 0216 564 55 44
 ewtr.panasonic.com