
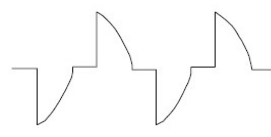



PRODUCT DATASHEET



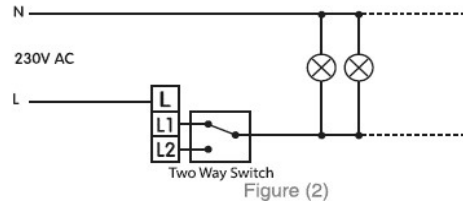
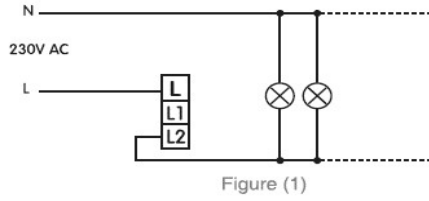
Product Name :	RL 20-500W Dimmer
Product Code :	90967140
Product Series :	Karre / Meridian
Technical Specifications:	
<i>Operating Voltage :</i>	230V~, 50Hz
<i>Maximum Output Power:</i>	500 W (R Type Load), 500 VA (L Type Load)
<i>Minimum Output Power:</i>	20 W (R Type Load), 20 VA (L Type Load)
Certifications:	VDE, CE, PDG, WEEE
Colour Options :	White, Beige
Material :	ABS (Acrylonitrile Butadine-Styrene)



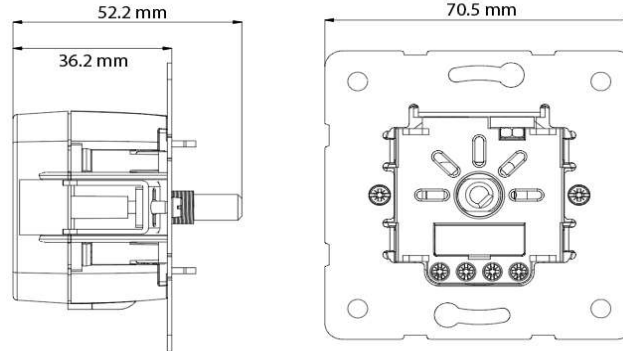
Load Type	Compatible Loads	Dim
R Type Load		Trailing Edge
	Incandescent and Halogen Lamps 230V	
L Type Load		
	Halogen Lamps with Mechanical Transformer / Halogen Lamps with Low Voltage	

Wiring Diagram:

Connection in Figure 1 is for normal switch use.
 Connection in Figure 2 is for two-way switch use.



Dimensions:



Panasonic Electric Works Elektrik.San. ve Tic. A.Ş.
 Abdurrahmangazi Mah. Ebubekir Cad. No: 44 Sancaktepe / Istanbul Tel: 0216 564 55 55 Fax: 0216 564 55 44
 ewtr.panasonic.com