

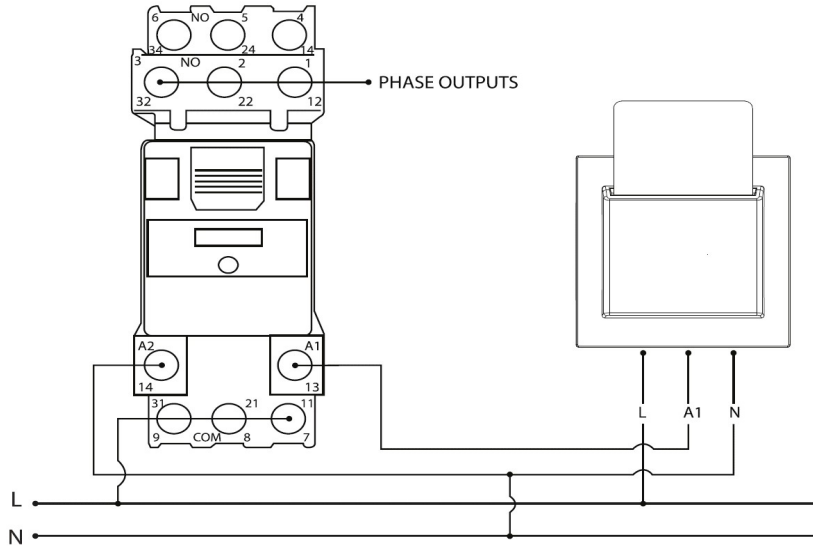
PRODUCT DATASHEET



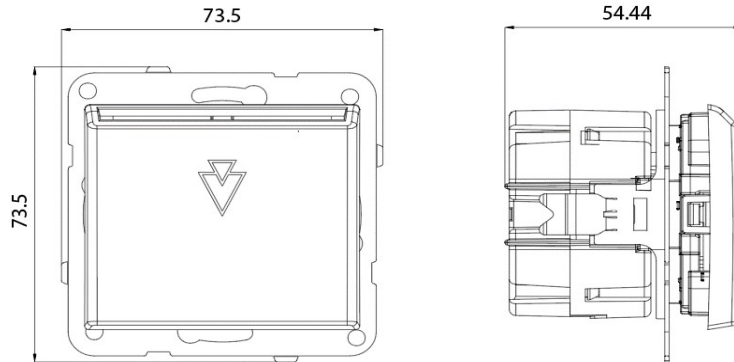
Product Name :	<i>Energy Saver with Mechanical Switch 230V</i>
Product Code :	<i>90967119</i>
Product Series :	<i>Karre/Meridian</i>
Technical Specifications:	
<i>Operating Voltage</i>	<i>230 V AC</i>
<i>Operating Temperature</i>	<i>0...45 °C</i>
<i>Connection Wire</i>	<i>Minimum 0.50 mm² diameter</i>
<i>Types of Card Reader</i>	<i>All Cards</i>
Material :	ABS (Acrylonitrile Butadine-Styrene)
Colour Options :	White, Beige
Certificates :	CE, WEEE



Wiring Diagram:



Dimensions:



Panasonic Electric Works Elektrik.San. ve Tic. A.Ş.
 Abdurrahmangazi Mah. Ebubekir Cad. No: 44 Sancaktepe / İstanbul Tel: 0216 564 55 55 Fax: 0216 564 55 44
 ewtr.panasonic.com