

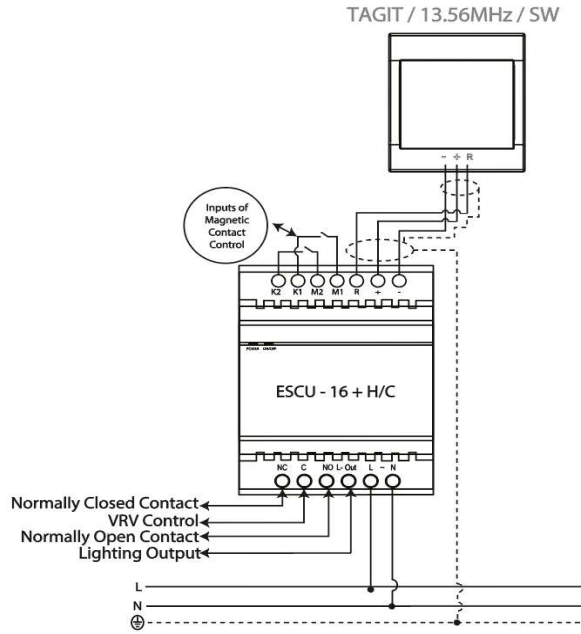
## PRODUCT DATASHEET



<b>Product Name :</b>	13,56 MHz Multi Card Energy Saver
<b>Product Code :</b>	90967116
<b>Product Series :</b>	Karre/Meridian
<b>Technical Specifications:</b>	
Operating Voltage	5 V DC
Operating Temperature	0...45 °C
Power Consumption	5 V DC 0.03A...0.2A
Connection Wire	Minimum 0.50 mm <sup>2</sup> diameter
Card Sensing Method	RFID
<b>Material :</b>	ABS (Acrylonitrile Butadine-Styrene)
<b>Colour Options :</b>	White, Beige



### Wiring Diagram:



### Dimensions:

