

PRODUCT DATASHEET

V:KO
by **Panasonic**

Product Name : *Buzzer Mechanism+Cover*

Product Code : *90967106*

Product Series : *Karre/Meridian*

Technical Specifications:

Operating Voltage 230VAC %10 / 50Hz

Operating Current 0.04A

Sound level 80 dB

Terminal Type Screw Terminal

Material : *ABS (Acrylonitrile Butadine-Styrene)*

Colour Options : *White, Beige*

Certificates : *TSE, VDE, NF, EAC, CE, WEEE*

Cable Standard:

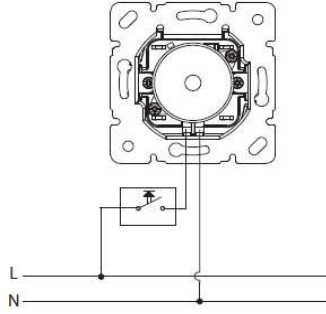
Cable Diameter : 1mm²-2,5mm²

Applicable Cable: *Solid Wire, Stranded Wire*

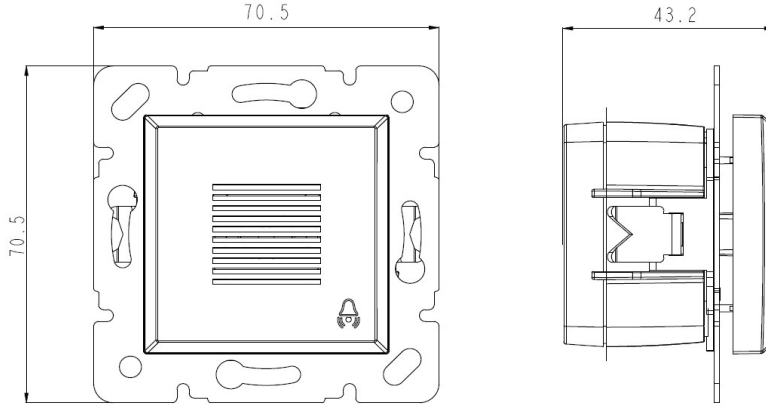


Screw
Terminal

Wiring Diagram:



Dimensions:



Panasonic Electric Works Elektrik.San. ve Tic. A.Ş.

Abdurrahmangazi Mah. Ebubekir Cad. No: 44 Sancaktepe / İstanbul Tel: 0216 564 55 55 Fax: 0216 564 55 44

ewtr.panasonic.com