

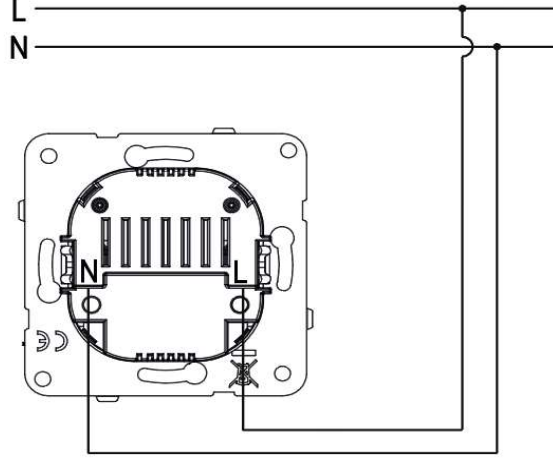
## PRODUCT DATASHEET

**V:KO**  
by **Panasonic**

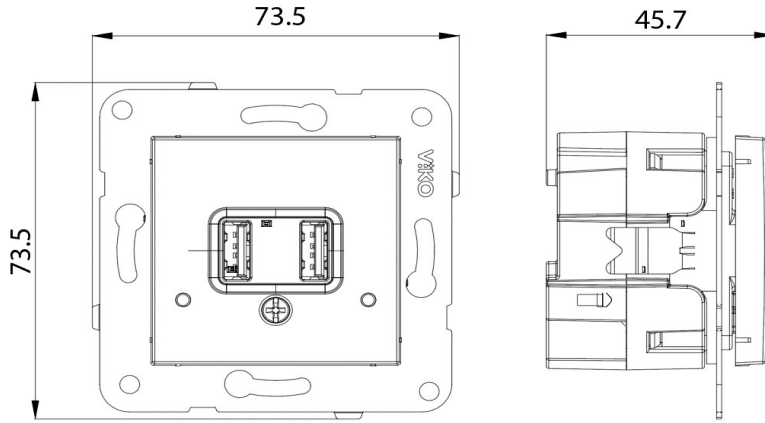
<b>Product Name :</b>	5V 2A USB Socket Mechanism+Cover
<b>Product Code :</b>	90967101
<b>Product Series :</b>	Karre/Meridian
<i>Input Voltage</i>	230V AC $\pm$ 10 %50Hz
<i>Output Voltage</i>	5V DC $\pm$ %5, 2.0A
<i>Operating Temperature</i>	10°C ... +40°C
<b>Colour Options :</b>	White, Beige
<b>Certificates :</b>	CE, WEEE



### Wiring Diagram:



### Dimensions:



Panasonic Electric Works Elektrik.San. ve Tic. A.Ş.  
Abdurrhmanğazi Mah. Ebubekir Cad. No: 44 Sancaktepe / İstanbul Tel: 0216 564 55 55 Fax: 0216 564 55 44  
ewtr.panasonic.com