

PRODUCT DATASHEET



Product Name :	Double Data RJ45 CAT6
Product Code :	90967079
Product Series :	Karre/Meridian
Technical Specifications:	
Material :	ABS (Acrylonitrile Butadine-Styrene)
Colour Options :	White, Beige
Certificates :	CE, WEEE



Product Details :

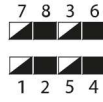
CAT6 data socket is suitable for 250 MHz data transmission.

CAT6 complies EIA/TIA standards and 568A-568B supports EIA/TIA.

Diameter of conductor to be used in numeris socket is between the range of 0.40 mm - 0.64 mm.

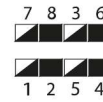
Wiring and Dimensions:

568 A

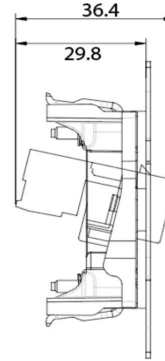
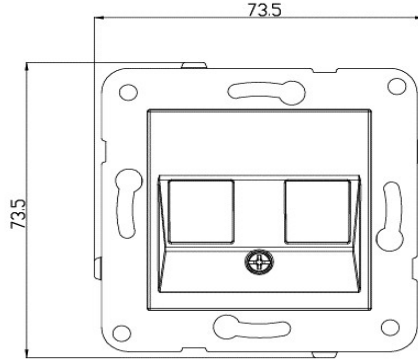
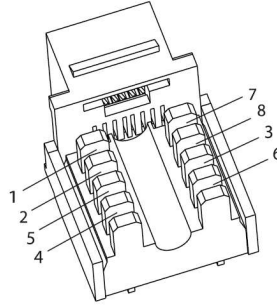


- 1- White - Green
- 2- Green
- 3- White - Blue
- 4- Blue
- 5- White - Orange
- 6- Orange
- 7- White - Brown
- 8- Brown

568 B



- 1- White - Orange
- 2- Orange
- 3- White - Green
- 4- Blue
- 5- White - Blue
- 6- Green
- 7- White - Brown
- 8- Brown



Panasonic Electric Works Elektrik.San. ve Tic. A.Ş.

Abdurrahmangazi Mah. Ebubekir Cad. No: 44 Sancaktepe / İstanbul Tel: 0216 564 55 55 Fax: 0216 564 55 44

ewtr.panasonic.com