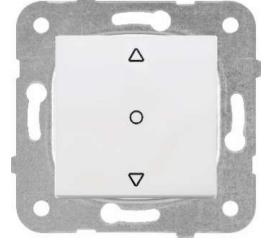


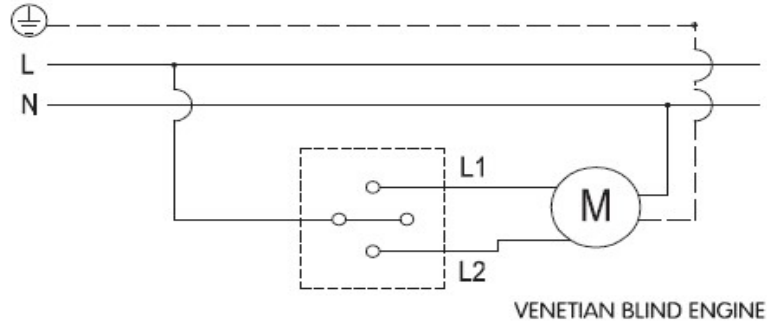
PRODUCT DATA SHEET

V:KO
by **Panasonic**

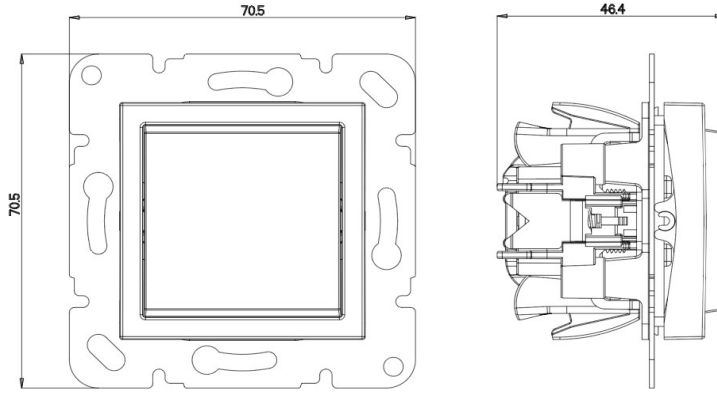
| | |
|-----------------------------------|--|
| Product Name : | Shutter Control Push Button Mechanism+Button |
| Product Code : | 90967072 |
| Product Series : | Karre/Meridian |
| Technical Specifications : | |
| <i>Rated Current :</i> | 10AX, 250V~ |
| Certifications : | CE, WEEE |
| Colour Options : | White, Beige |
| Cable Standard: | |
| <i>Cable Diameter :</i> | 1mm ² -2,5mm ² |
| <i>Applicable Cable:</i> | Solid Wire, Stranded Wire |



Circuit Diagram :



Dimensions :



Panasonic Electric Works Elektrik.San. ve Tic. A.Ş.
Abdurrahmangazi Mah. Ebubekir Cad. No: 44 Sancaktepe / İstanbul Tel: 0216 564 55 55 Fax: 0216 564 55 44
ewtr.panasonic.com