

## PRODUCT DATA SHEET

**V:KO**  
by **Panasonic**

**Product Name :** Loudspeaker Switch Mechanism+Button

**Product Code :** 90967054

**Product Series :** Karre/ Meridian

**Colour Options :** White, Beige

**Technical Specifications :**

*12-grade sound adjustment*

*2.5 W peak speaker support*

*Compliance with 8Ω systems*

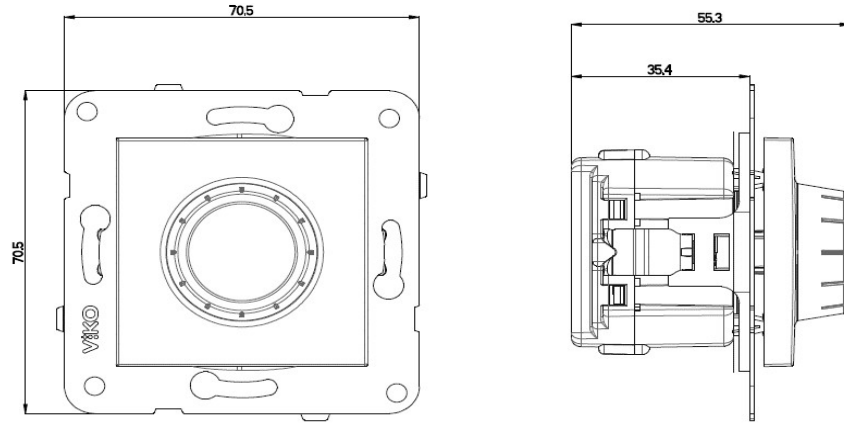
*Operating frequency: 200Hz.- 20KHz.*

*Compliance with shallow enclosure*

**Certifications :** CE, PGD, WEEE



**Dimensions :**



Panasonic Electric Works Elektrik.San. ve Tic. A.Ş.

Abdurrahmangazi Mah. Ebubekir Cad. No: 44 Sancaktepe / İstanbul Tel: 0216 564 55 55 Fax: 0216 564 55 44

ewtr.panasonic.com