

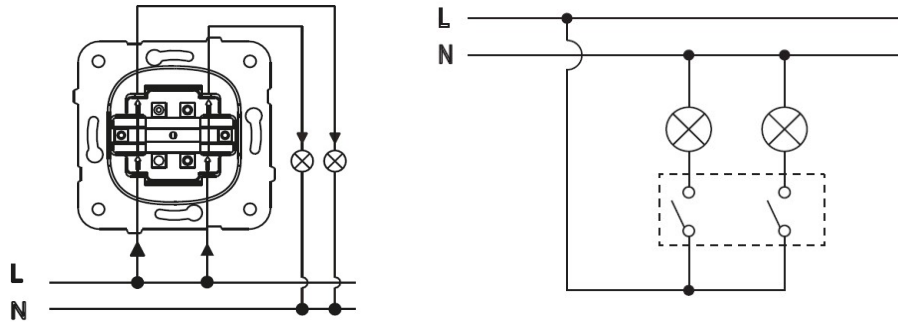
PRODUCT DATA SHEET

V:KO
by **Panasonic**

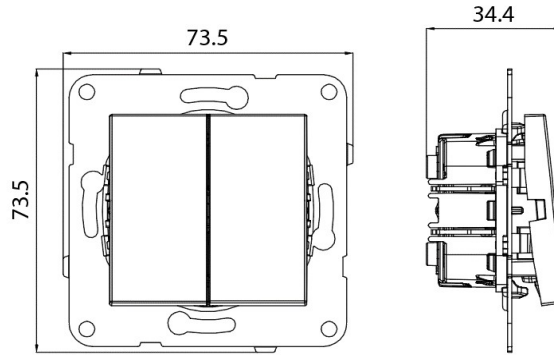
Product Name :	Dual Switch Mechanism+Button
Product Code :	90967044
Product Series :	Karre/ Meridian
Technical Specifications :	
Terminal Type :	Srew Terminal
Rated Current :	10AX, 250V~
Certifications :	CE, WEEE
Colour Options :	White, Beige
Cable Standard:	
Cable Diameter :	1mm ² -2,5mm ²
Applicable Cable:	Solid Wire, Stranded Wire



Circuit Diagram :



Dimensions :



Panasonic Electric Works Elektrik.San. ve Tic. A.Ş.

Abdurrahmangazi Mah. Ebubekir Cad. No: 44 Sancaktepe / İstanbul Tel: 0216 564 55 55 Fax: 0216 564 55 44

ewtr.panasonic.com