

PRODUCT DATA SHEET

V:KO
by **Panasonic**

Product Name : Two Pole Switch Mechanism+Button

Product Code : 90967039

Product Series : Karre / Meridian

Technical Specifications :

Rated Current : 10AX, 250V~

Terminal Type : Screw Terminal

Colour Options : White, Beige

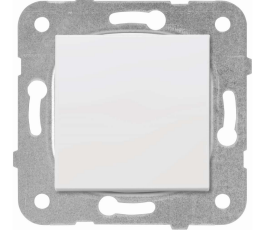
Materials : ABS

Certifications : VDE, EAC, CE, WEEE

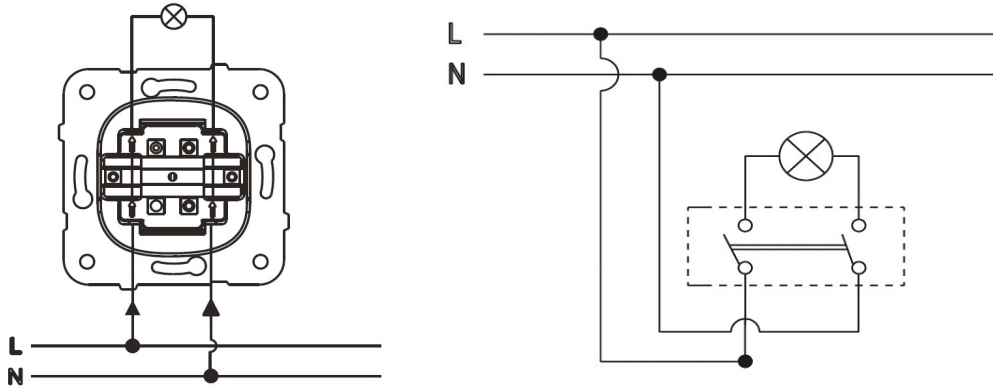
Cable Standard:

Cable Diameter : 1mm²-2,5mm²

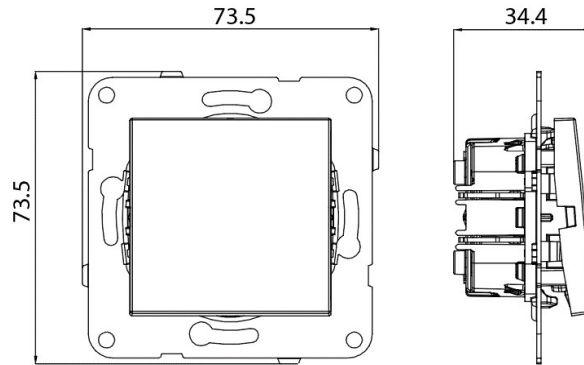
Applicable Cable : Solid Wire, Stranded Wire



Wiring and Circuit Diagram :



Dimensions :



Panasonic Electric Works Elektrik.San. ve Tic. A.Ş.

Abdurrahmangazi Mah. Ebubekir Cad. No: 44 Sancaktepe / İstanbul Tel: 0216 564 55 55 Fax: 0216 564 55 44

ewtr.panasonic.com