

PRODUCT DATASHEET



Product Name :	10 dB Satellite Socket with F Connector, Transitive
Product Code :	90967038
Product Series :	Karre/Meridian
Technical Specifications:	
Material :	ABS (Acrylonitrile Butadine-Styrene)
Certificates :	CE, WEEE
Colour Options :	White, Beige

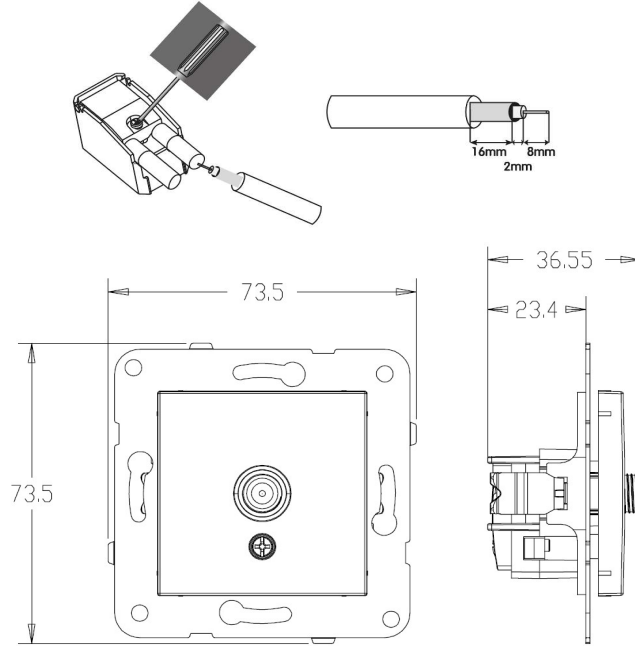


Product Details :

- Suitable for central antenna and CATTV.
- Not affected by the parasite signals coming from the air for shielding feature.
- Ease of assembly thanks to the rear cover with hinge feature.
- Can be used in TV Socket 5-2400 MHz band.
- RG 6 U6 type wire connection is recommended for the image quality.

	Sat						
f/MHz	5-860-950	1000	1200	1600	2000	2250	2400
Subscriber Loss (dB)	≤11.5	≤12.0	≤12.5	≤14	≤14	≤14	≤14.5
Transient Loss (dB)	≤2,5	≤2,5	≤3	≤3,8	≤4,5	≤5,0	≤5,5

Dimensions:



Panasonic Electric Works Elektrik.San. ve Tic. A.Ş.
Abdurrhimgazi Mah. Ebubekir Cad. No: 44 Sancaktepe / Istanbul Tel: 0216 564 55 55 Fax: 0216 564 55 44
ewtr.panasonic.com