

PRODUCT DATASHEET



Product Name :	Single Data RJ45 CAT5E Mechanism+Cover
Product Code :	90967032
Product Series :	Karre/Meridian
Technical Specifications:	
Material :	ABS (Acrylonitrile Butadine-Styrene)
Colour Options :	White, Beige
Certificates :	CE, WEEE



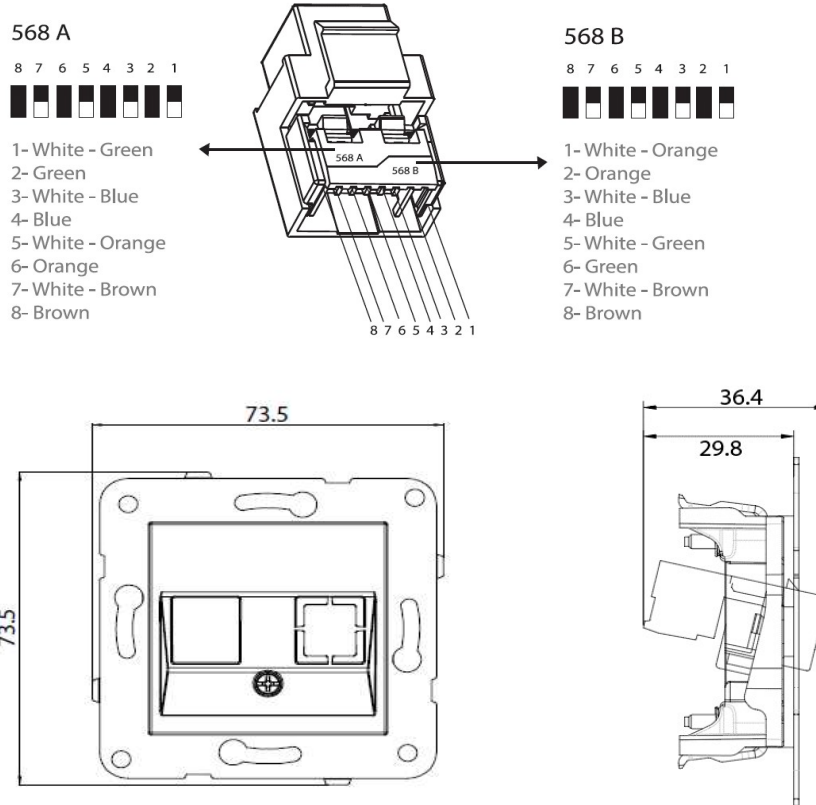
Product Details :

CAT5E data socket is suitable for 100 MHz data transmission.

CAT5E complies EIA/TIA standards and 568A-568B supports EIA/TIA.

Diameter of conductor to be used in numeris socket is between the range of 0.40 mm - 0.64 mm.

Wiring Diagram and Dimensions:



Panasonic Electric Works Elektrik.San. ve Tic. A.Ş.

Abdurrahmangazi Mah. Ebubekir Cad. No: 44 Sancaktepe / İstanbul Tel: 0216 564 55 55 Fax: 0216 564 55 44

ewtr.panasonic.com