

PRODUCT DATASHEET

V:KO
by **Panasonic**

Product Name : Intermediate Switch

Product Code : 90967031

Product Series : Karre/Meridian

Technical Specifications:

Rated Current : 10AX, 250V~

Terminal Type : Screw Terminal

Material : ABS (Acrylonitrile Butadine-Styrene)

Colour Options : White, Beige

Certificates : TSE, VDE, NF, EAC, CE, WEEE

Cable Standard :

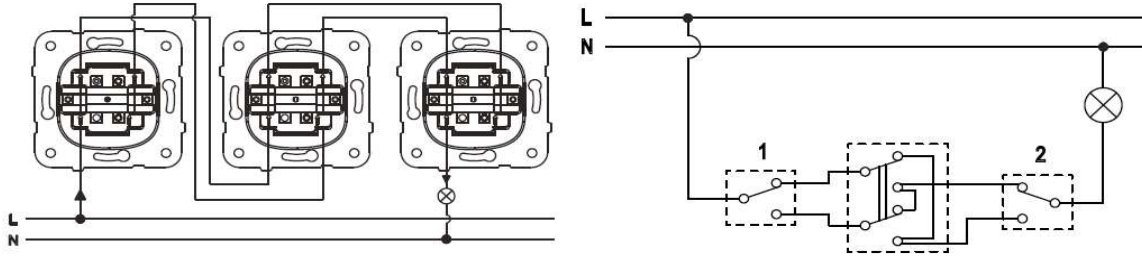
Cable Diameter : 1mm²-2,5mm²

Applicable Cable: Solid Wire, Stranded Wire

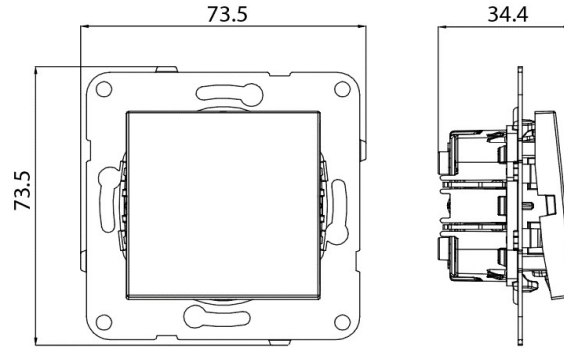


Screw
Terminal

Wiring Diagram:



Dimensions:



Panasonic Electric Works Elektrik.San. ve Tic. A.Ş.

Abdurrahmangazi Mah. Ebubekir Cad. No: 44 Sancaktepe / İstanbul Tel: 0216 564 55 55 Fax: 0216 564 55 44

ewtr.panasonic.com