

## PRODUCT DATASHEET

**V:KO**  
by **Panasonic**

**Product Name :** Two Gang Two Way Switch

**Product Code :** 90967017

**Product Series :** Karre/Meridian

**Technical Specifications:**

*Rated Current :* 10AX, 250V~

*Terminal Type :* Screw Terminal

**Material :** ABS (Acrylonitrile Butadine-Styrene)

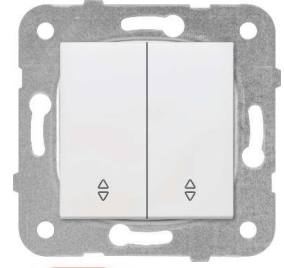
**Colour Options :** White,Beige

**Certificates :** TSE, VDE, NF, EAC, CE, WEEE

**Cable Standard:**

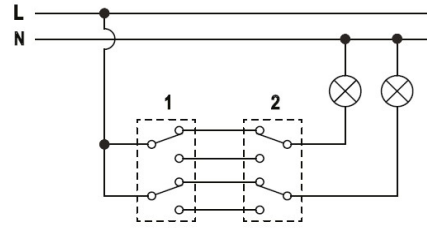
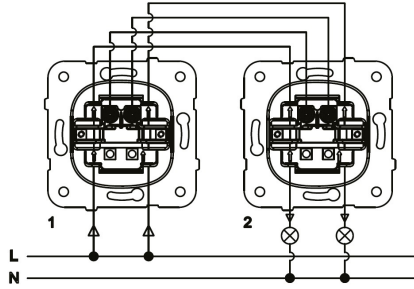
*Cable Diameter :* 1mm<sup>2</sup>-2,5mm<sup>2</sup>

*Applicable Cable:* Solid Wire, Stranded Wire

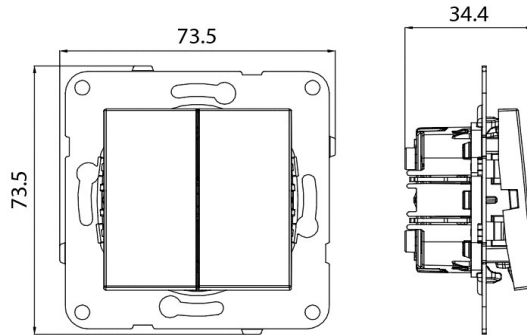


Screw  
Terminal

**Wiring Diagram:**



**Dimensions:**



Panasonic Electric Works Elektrik.San. ve Tic. A.Ş.  
Abdurrahmangazi Mah. Ebubekir Cad. No: 44 Sancaktepe / Istanbul Tel: 0216 564 55 55 Fax: 0216 564 55 44  
ewtr.panasonic.com