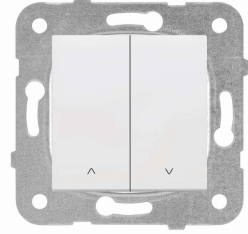


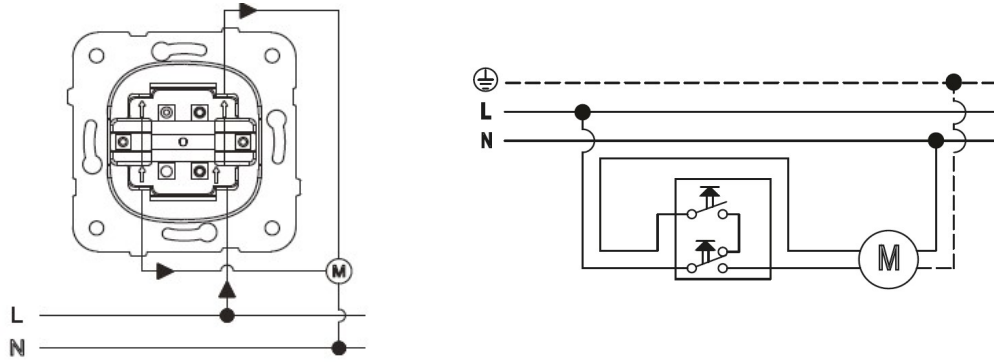
## PRODUCT DATA SHEET

**V:KO**  
by **Panasonic**

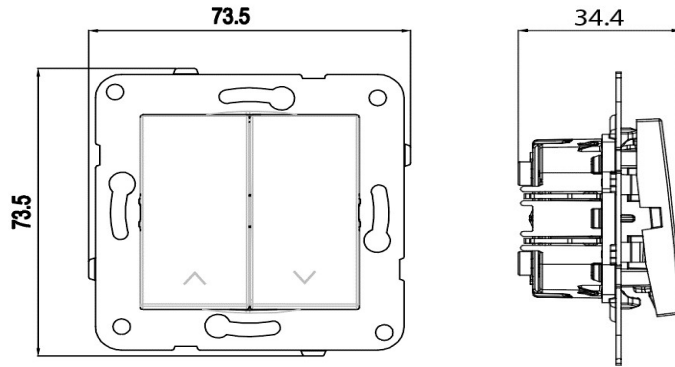
<b>Product Name :</b>	Shutter Control Push Button Mechanism+Button
<b>Product Code :</b>	90967016
<b>Product Series :</b>	Karre / Meridian
<b>Technical Specifications :</b>	
Rated Current :	10AX, 250V~
Terminal Type :	Screw Terminal
<b>Colour Options :</b>	White, Beige
<b>Materials :</b>	ABS
<b>Certifications :</b>	TSE, VDE, NF, EAC, CE, WEEE
<b>Cable Standard:</b>	
Cable Diameter :	1mm <sup>2</sup> -2,5mm <sup>2</sup>
Applicable Cable:	Solid Wire, Stranded Wire



### Wiring and Circuit Diagram :



### Dimensions :



Panasonic Electric Works Elektrik.San. ve Tic. A.Ş.

Abdurrahmangazi Mah. Ebubekir Cad. No: 44 Sancaktepe / İstanbul Tel: 0216 564 55 55 Fax: 0216 564 55 44

ewtr.panasonic.com