

PRODUCT DATASHEET

V:KO
by **Panasonic**

Product Name : 2P+E Socket

Product Code : 90967008

Product Series : Karre/Meridian

Technical Specifications:

Rated Current : 16AX, 250V~

Terminal Type : Screw Connection

Material : ABS (Acrylonitrile Butadine-Styrene)

Colour Options : White, Beige

Certificates : TSE, VDE, NF, EAC, CE, WEEE

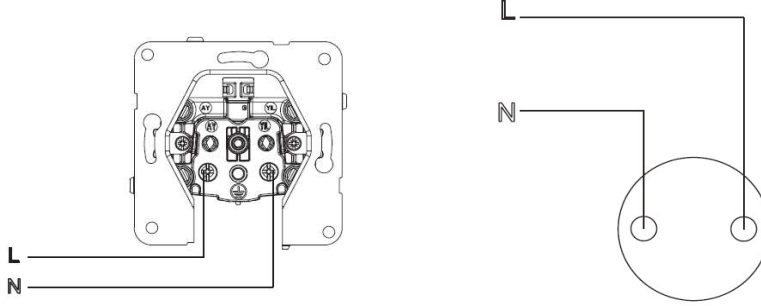
Cable Standard:

Cable Diameter : 1,5mm²-2,5mm²

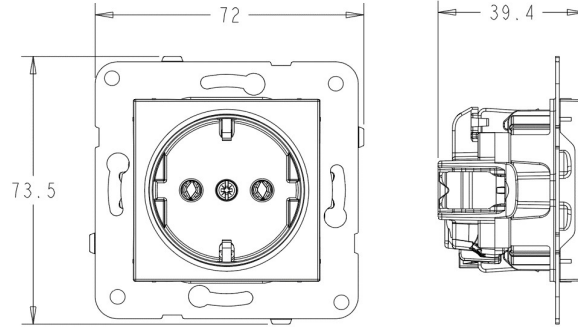
Applicable Cable: Solid Wire, Stranded Wire



Wiring Diagram:



Dimensions:



Panasonic Electric Works Elektrik.San. ve Tic. A.Ş.

Abdurrahmangazi Mah. Ebubekir Cad. No: 44 Sancaktepe / İstanbul Tel: 0216 564 55 55 Fax: 0216 564 55 44

ewtr.panasonic.com