

## PRODUCT DATASHEET

**V:KO**  
by **Panasonic**

**Product Name :** One Way Push Button Mechanism+Button

**Product Code :** 90967003

**Product Series :** Karre / Meridian

### Technical Specifications:

*Rated Current :* 10AX, 250V~

*Terminal Type :* Screw Terminal

**Colour Options :** White, Beige

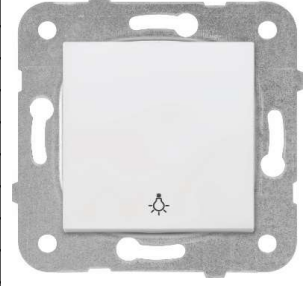
**Material of Button:** ABS (Acrylonitrile Butadine-Styrene)

**Certificates :** TSE, VDE, NF, EAC, CE, WEEE

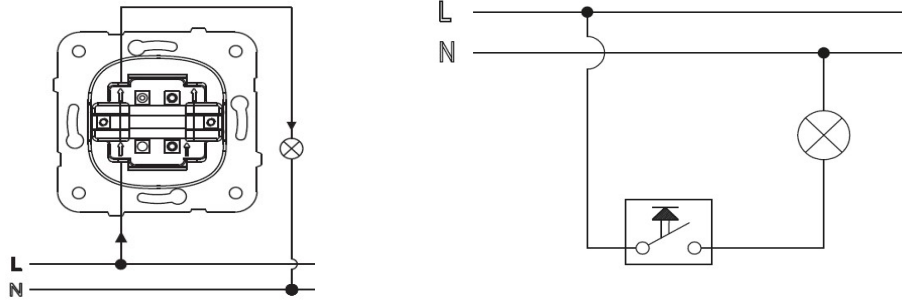
### Cable Standard:

*Cable Diameter :* 1mm<sup>2</sup>-2,5mm<sup>2</sup>

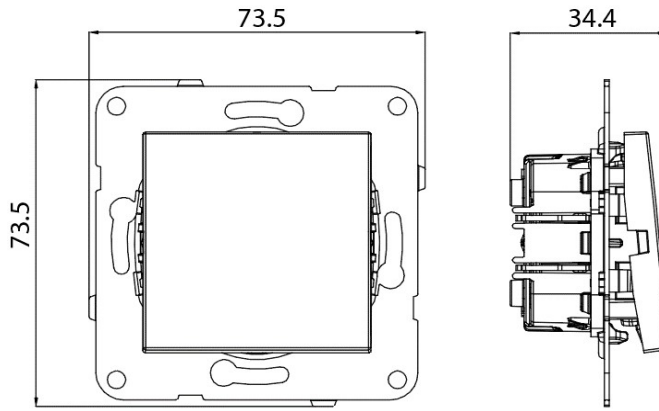
*Applicable Cable:* Solid Wire, Stranded Wire



### Circuit Diagram:



### Dimensions:



Panasonic Electric Works Elektrik.San. ve Tic. A.Ş.

Abdurrahmangazi Mah. Ebubekir Cad. No: 44 Sancaktepe / İstanbul Tel: 0216 564 55 55 Fax: 0216 564 55 44

ewtr.panasonic.com