

PRODUCT DATASHEET



Product Name : 1&2 Gang Surface Mounted Distribution Box

Product Code : 90914001

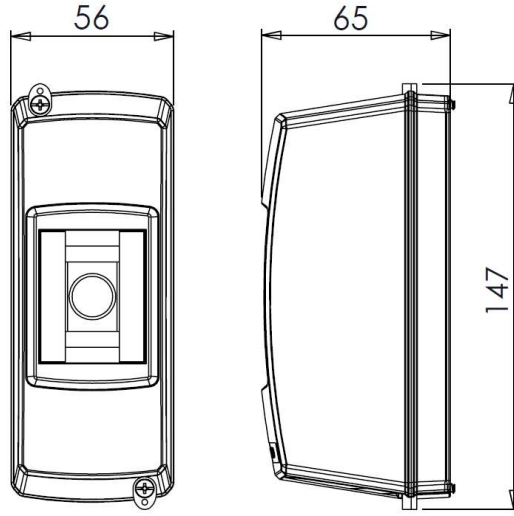


Technical Specifications:

Material : ABS (Acrylonitrile Butadine-Styrene)

Certifications CE, TSE, WEEE

Dimensions:



Panasonic Electric Works Elektrik.San. ve Tic. A.Ş.
Abdurrahmangazi Mah. Ebubekir Cad. No: 44 Sancaktepe / İstanbul Tel: 0216 564 55 55 Fax: 0216 564 55 44
ewtr.panasonic.com