

## PRODUCT DATA SHEET

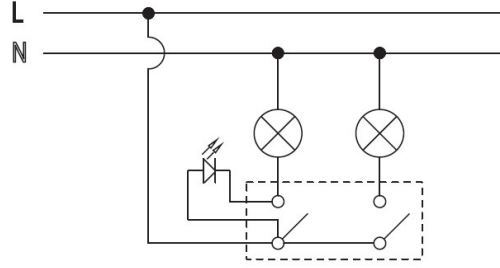
**V:KO**  
by **Panasonic**

<b>Product Name :</b>	Vera White Illuminated Two Gang One Way Switch
<b>Product Code :</b>	90681050
<b>Product Series :</b>	Vera
<b>Technical Specifications :</b>	
Rated Current :	10AX, 250V~
Switch Function :	Two Gang One Way
Terminal Type :	Screw Terminal
<b>Materials :</b>	
Outer Body :	Glass-Fibre reinforced PP
Rocker :	ABS
Mechanism :	PC
<b>Certifications :</b>	TSE, VDE, NF, EAC, CE
<b>Cable Standard:</b>	
Cable Diameter :	1mm <sup>2</sup> -2,5mm <sup>2</sup>
Applicable Cable:	Solid Wire, Stranded Wire
<b>IP Degree:</b>	IP20

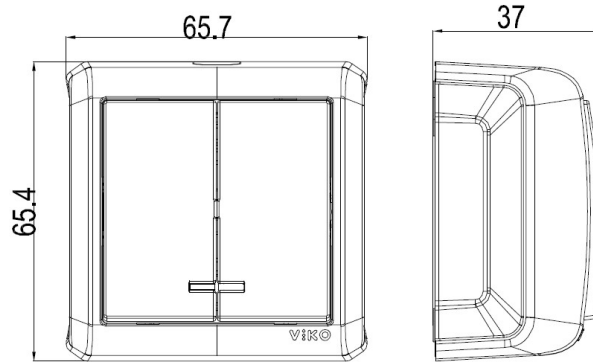


Screw  
Terminal

### Wiring and Circuit Diagram:



### Dimensions:



Panasonic Electric Works Elektrik.San. ve Tic. A.Ş.  
Abdurrahmangazi Mah. Ebubekir Cad. No: 44 Sancaktepe / İstanbul Tel: 0216 564 55 55 Fax: 0216 564 55 44  
ewtr.panasonic.com