

PRODUCT DATA SHEET



Product Name :	TV Socket, Lossless Mechanism+Cover
Product Code :	90681049
Product Series :	Vera
Material :	
<i>Outer Body :</i>	PP
<i>Cover :</i>	ABS
<i>Mechanism :</i>	PC
Certificates :	CE, PGD, WEEE
IP Degree:	IP20



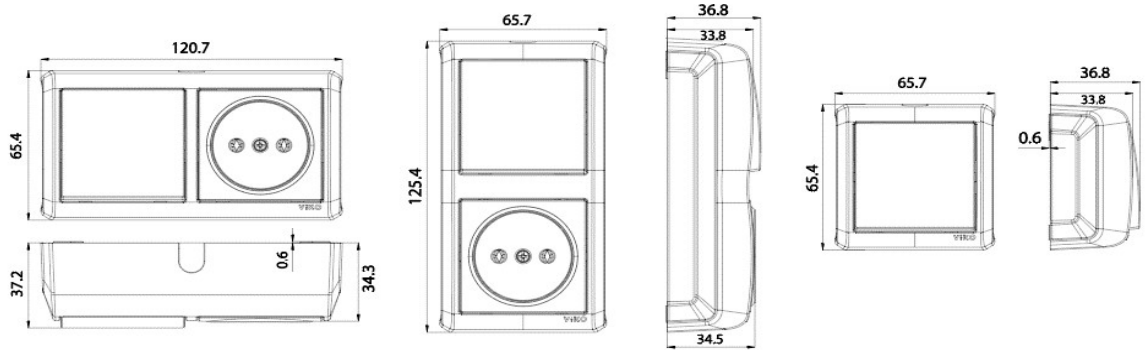
Product Details:

- Suitable for central antenna and CATTV.
- Not affected by the parasite signals coming from the air for shielding feature.
- Ease of assembly thanks to the rear cover with hinge feature.
- Can be used in TV Socket 5-1000 MHz band.
- RG 6 U6 type wire connection is recommended for the image quality.

TV Socket, Lossless

f/MHz	TV				
	5-47	47-470	470-862	862-1000	1000
Subscriber Loss (dB)			≤ 3.5		
Transient Loss (dB)	≤ 3.5	≤ 5.0	≤ 5.0	≤ 5.0	≤ 5.0

Dimensions:



Panasonic Electric Works Elektrik.San. ve Tic. A.Ş.

Abdurrahmangazi Mah. Ebubekir Cad. No: 44 Sancaktepe / İstanbul Tel: 0216 564 55 55 Fax: 0216 564 55 44

ewr.panasonic.com