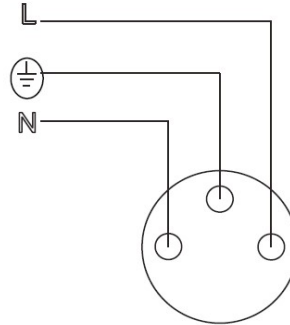


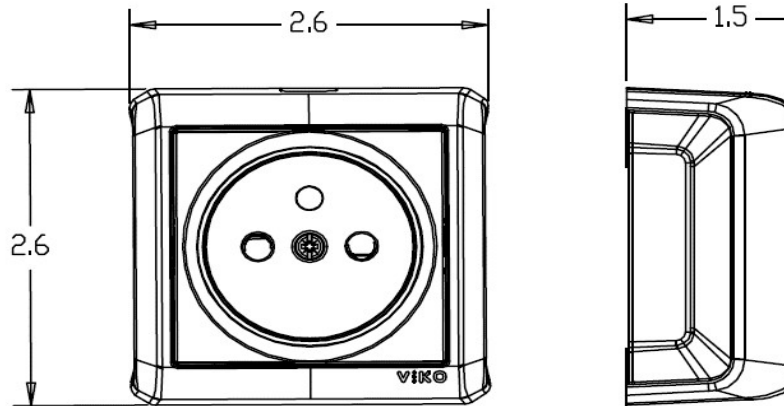
## PRODUCT DATA SHEET

<b>Product Name :</b>	Vera White UPS Socket
<b>Product Code :</b>	90681045
<b>Product Series :</b>	Vera
<b>Technical Specifications :</b>	
<i>Rated Current :</i>	16AX 250V~
<i>Socket Function :</i>	2P+E
<i>Terminal Type :</i>	Screw Terminal
<b>Materials :</b>	
<i>Outer Body :</i>	Glass-Fibre reinforced PP
<i>Rocker :</i>	ABS
<i>Mechanism :</i>	PC
<b>Certifications :</b>	TSE, VDE, EAC
<b>Cable Standard:</b>	
<i>Cable Diameter :</i>	1mm <sup>2</sup> -2,5mm <sup>2</sup>
<i>Applicable Cable:</i>	Solid Wire, Stranded Wire
<b>IP Degree:</b>	IP20

### Wiring and Circuit Diagram:



### Dimensions:



**V:KO**  
by **Panasonic**



Screw  
Terminal

