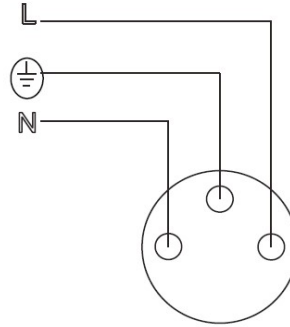


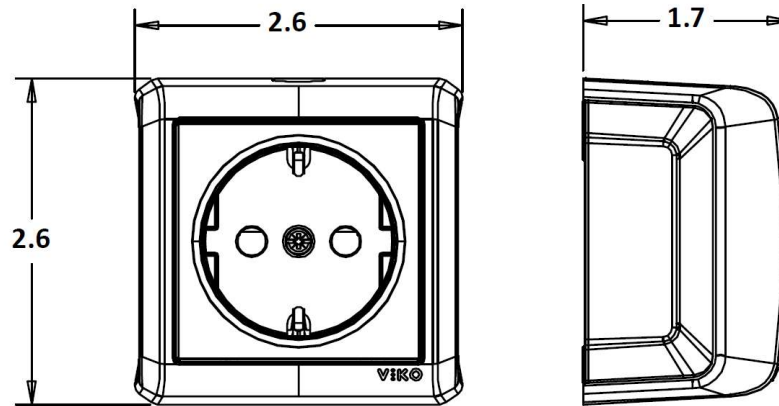
PRODUCT DATA SHEET

Product Name :	Vera White Socket 2P+E with Safety Shutter
Product Code :	90681042
Product Series :	Vera
Technical Specifications :	
Rated Current :	16AX 250V~
Socket Function :	2P+E
Terminal Type :	Screw Terminal
Materials :	
Outer Body :	Glass-Fibre reinforced PP
Rocker :	ABS
Mechanism :	PC
Certifications :	TSE, VDE, EAC
Cable Standard:	
Cable Diameter :	1mm ² -2,5mm ²
Applicable Cable:	Solid Wire, Stranded Wire
IP Degree:	IP20

Wiring and Circuit Diagram:



Dimensions:



Panasonic Electric Works Elektrik.San. ve Tic. A.Ş.

Abdurrahmangazi Mah. Ebubekir Cad. No: 44 Sancaktepe / İstanbul Tel: 0216 564 55 55 Fax: 0216 564 55 44

ewtr.panasonic.com

V:KO
by **Panasonic**



Screw
Terminal