

PRODUCT DATA SHEET

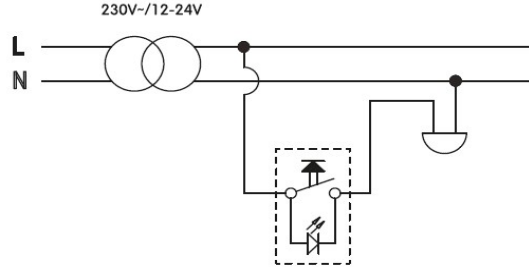
V:KO
by **Panasonic**

| | |
|-----------------------------------|--|
| Product Name : | Vera Push Button With Label, Illuminated 24V LED |
| Product Code : | 90681027 |
| Product Series : | Vera |
| Technical Specifications : | |
| <i>Rated Current :</i> | 10AX, 250V ~ (For 10A; Rated LED/CFL Lamp load is 100W.) |
| <i>Terminal Type :</i> | Screw Terminal |
| Materials : | |
| <i>Outer Body :</i> | Glass-Fibre reinforced PP |
| <i>Rocker :</i> | ABS |
| <i>Mechanism :</i> | PC |
| Certifications : | TSE, VDE, NF, EAC, CE |
| Cable Standard: | |
| <i>Cable Diameter :</i> | 1mm ² -2,5mm ² |
| <i>Applicable Cable:</i> | Solid Wire, Stranded Wire |
| IP Degree: | IP20 |

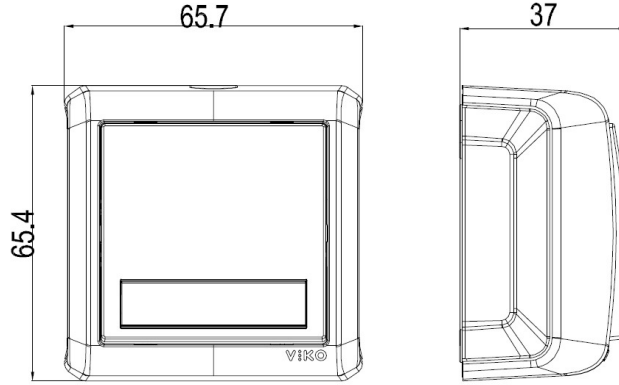


Screw
Terminal

Circuit Diagram:



Dimensions:



Panasonic Electric Works Elektrik.San. ve Tic. A.Ş.
Abdurrahmangazi Mah. Ebubekir Cad. No: 44 Sancaktepe / İstanbul Tel: 0216 564 55 55 Fax: 0216 564 55 44
ewtr.panasonic.com