

## PRODUCT DATA SHEET

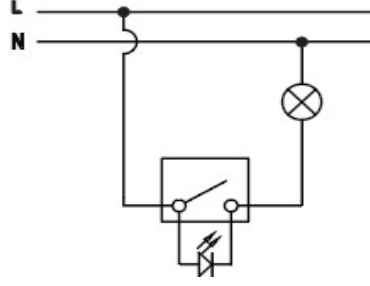
**V:KO**  
by **Panasonic**

<b>Product Name :</b>	Vera White Illuminated Push Button
<b>Product Code :</b>	90681014
<b>Product Series :</b>	Vera
<b>Technical Specifications :</b>	
<i>Rated Current :</i>	10AX, 250V~
<i>Terminal Type :</i>	Screw Terminal
<b>Materials :</b>	
<i>Outer Body :</i>	Glass-Fibre reinforced PP
<i>Rocker :</i>	ABS
<i>Mechanism :</i>	PC
<b>Certifications :</b>	TSE, VDE, NF, EAC, CE
<b>Cable Standard:</b>	
<i>Cable Diameter :</i>	1mm <sup>2</sup> -2,5mm <sup>2</sup>
<i>Applicable Cable:</i>	Solid Wire, Stranded Wire
<b>IP Degree:</b>	IP20

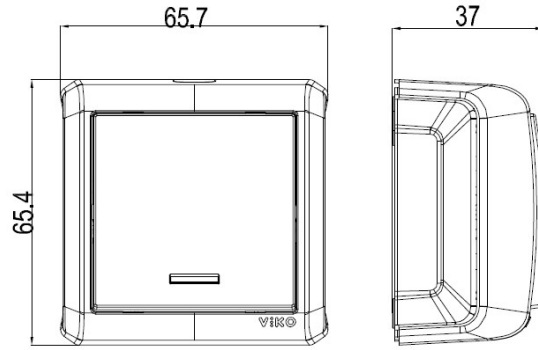


Screw  
Terminal

### Circuit Diagram:



### Dimensions:



Panasonic Electric Works Elektrik.San. ve Tic. A.Ş.  
Abdurrahmangazi Mah. Ebubekir Cad. No: 44 Sancaktepe / İstanbul Tel: 0216 564 55 55 Fax: 0216 564 55 44  
ewtr.panasonic.com